



Technical Data // Series 5303/LR01

Battery Probe 100 mil / 2.54 mm

HIGHLIGHTS

Short, compact size

Connection with wire and strange wire possible

Individual bonding possible

MECHANICAL DATA

Center 2.54 mm/100 mil

Temperature Range -30 °C - +120 °C

Full Travel 1.40 mm

Working Travel 0.70 mm

Pre-loaded Spring Force 0.25 N

Spring Force at Working Travel 0.85 N

ELEKTRISCHE WERTE ELECTRICAL DATA

Max. Current Rating 3.5 A

Typical Continuity Resistance ≤ 20 mOhm

MATERIALS

Barrel Brass, gold-plated

Spring Spring Steel, gold-plated

Plunger Brass, gold-plated



Technical Data // Series 5303/LR01

Battery Probe 100 mil / 2.54 mm

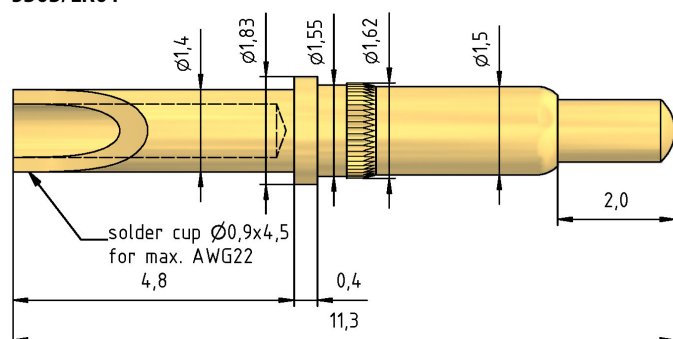
TIP STYLE - DIAMETER - PLATING



D

1.07M Au

5303/LR01



HOW TO ORDER

5303/ LR01 - D - 0.85 N - Au - 1.07 M

1	2	3	4	5	6	7
---	---	---	---	---	---	---

1. Series
2. Variant
3. Tip Style
4. Spring Force
5. Tip Plating
6. Tip Diameter
7. Tip Material (only for Brass)