

**Technical Data // Series 3214/2GW**

Switching Test Probe "OFF-ON-OFF" with Easy-Replacement System 160 mil / 4.0 mm

HIGHLIGHTS

Test Probe with switching function for cable harness test and presence verification

Threaded type

Switching test probe "OFF-ON-OFF" type

Easy-replacement system (replacement without soldering)

Short design (25.0 mm)

High soldering temperature up to 300°C

MECHANICAL DATA

Center 4.00 mm/160 mil

Temperature Range -30 °C - +120 °C

Full Travel 5.00 mm

Working Travel 4.00 mm

Rated Travel 3.00 mm

SSwitching Travel ON 2.50 mm

SSwitching Travel OFF 3.50 mm

Pre-loaded Spring Force 1.00 N

Spring Force at Working Travel 3.00 N

Spring Force at Rated Travel 2.50 N

Spring Force at Switching Travel ON 2.25 N

Spring Force at Switching Travel OFF 2.75 N

ELEKTRISCHE WERTE ELECTRICAL DATA**Receptacle-Plunger**

Max. Current Rating 3.0 A

Typical Continuity Resistance <= 20 mOhm

Pin-Plunger

Max. Current Rating 1.0 A

Typical Continuity Resistance <= 40 mOhm

Typical Insulating Voltage 1000 V

MATERIALS

Barrel Brass, gold-plated

Spring Spring Steel, gold-plated

Plunger CuBe

Receptacle Brass, gold-plated

RECOMMENDED DIAMETER OF DRILL

HP 2361.1 (Trolitax) 3.50 mm

HGW 2372 3.51 mm

AVAILABLE SCREW TOOLS

Article Designation max. Tip Diameter

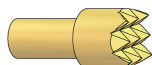
WFSB 1060/G-4.0-3.0 3.0



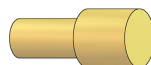
Technical Data // Series 3214/2GW

Switching Test Probe "OFF-ON-OFF" with Easy-Replacement System 160 mil / 4.0 mm

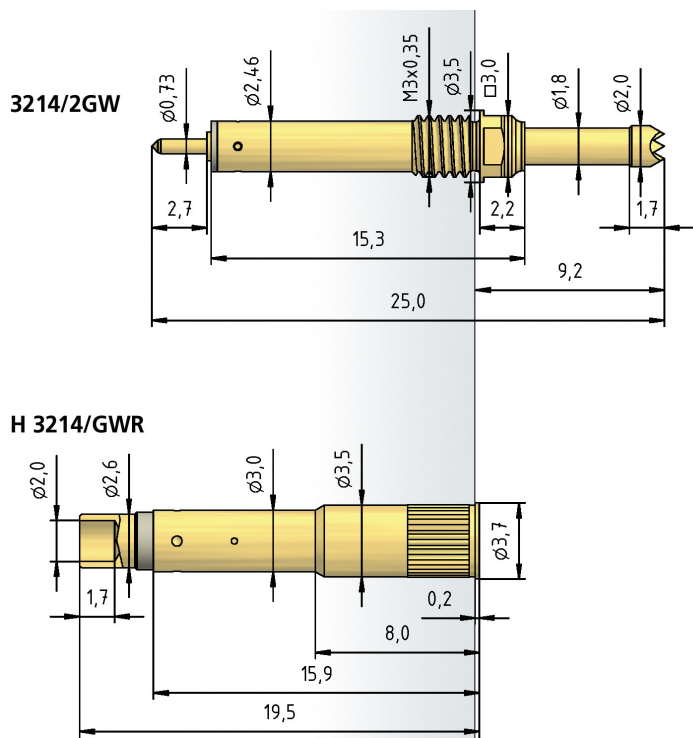
TIP STYLE - DIAMETER - PLATING



C
2.00C Au



F
3.00C Au



HOW TO ORDER

3214/ 2 G W - C - 3.0 N - Au - 2.0 C

1 2 3 4 5 6 7 8 9

- 1. Series 2. Collar Height 3. Threaded Design
- 4. Interchangeable without Soldering 5. Tip Style
- 6. Spring Force 7. Tip Plating 8. Tip Diameter
- 9. Tip Material (only for CuBe)