

AKZ1200/..-10.16-GREEN



A Phoenix Mecano Brand

Technical Data

Wire sizes		Insulating Material	
Solid min	0.2 mm ²	Material	PA 6.6
Solid max	4.0 mm ²	Flammability Class	UL 94 V-0
Stranded (flexible) min	0.2mm ²	Temperatures	
Stranded (flexible) max	2.5 mm ²	Operating Temperature (without mech. load)	-40 °C - 105 °C
Stranded with Ferrule min	0.25 mm ²	Store Temperature	-40 °C - 105 °C
Stranded with Ferrule max	2.5 mm ²	Wave Soldering Process	
Dimensions		Soldering Temperature, recommended	-
Stripped Length	10.0 mm	Peak Soldering Time, recommended	-
Materials		Reflow Process	
Screw	Steel	Soldering Temperature, recommended	-
Contact Spring	Bronze	Peak Soldering Time, recommended	-
Clamp Cage	Steel		
Excenter	Steel		

Colours

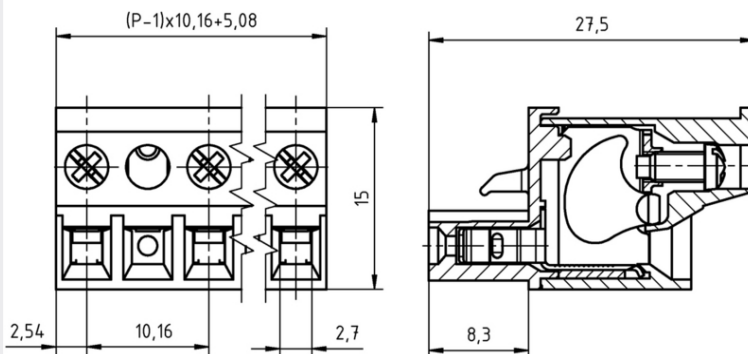
	GREEN, RAL 6018
	PEBBLE GREY, RAL 7032
	LIGHT GREEN, similar RAL 6018

Colours according to RAL, there may be variations on colour due to production conditions. Special colours on request.

Counterparts (Spacing 10.16 mm)

Pin Strip/Terminal Block			
STLZ950	STLZ970	STLZ990	AKZ5950

In combination of connectors with different admission data, the lower value is valid.



Order Data (Spacing 10.16 mm)

Poles	Width (mm)	Article Designation	Article Number	PU
2	15.24	AKZ1200/2-10.16-GREEN	51200020061 D	50
3	25.40	AKZ1200/3-10.16-GREEN	51200030061 D	50
4	35.56	AKZ1200/4-10.16-GREEN	51200040061 D	50
5	45.72	AKZ1200/5-10.16-GREEN	51200050061 D	50
6	55.88	AKZ1200/6-10.16-GREEN	51200060061 D	50
7	66.04	AKZ1200/7-10.16-GREEN	51200070061 D	50
8	76.20	AKZ1200/8-10.16-GREEN	51200080061 D	50

Accessoires

Figure	Designation	Article Number
	Coding Star CS1-5.0/5.08-RED	Order Data: 50000000021



Series AKZ1200 with pull relief Order Data: on request

Ratings

UseGroup	cRU [®] US			VDE	
	B	C	D		
Rated Voltage	300 V	150 V	300 V	630 V	
Rated Current	15 A	15 A	10 A	12 A	
Overtoltage Category				III	
Rated Wire Size				min	max
- solid	AWG 22-12	AWG 22-12	AWG 22-12	0.5 mm ² (5 A)	2.5 mm ² (12 A)
- stranded	AWG 22-12	AWG 22-12	AWG 22-12	0.5 mm ² (5 A)	2.5 mm ² (12 A)
Torque	0.80 Nm	0.80 Nm	0.80 Nm	0.50 Nm	
Screw Size	M2.5	M2.5	M2.5	M2.5	
Test Voltage	1.60 kV	1.30 kV	1.60 kV	6.0 kV	
Pollution Degree				3	