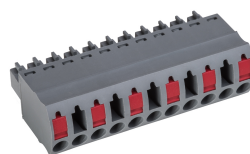


# AKZ4551/..KD-7.62-BASALTGREY



A Phoenix Mecano Brand

## Technical Data

Wire sizes		Insulating Material	
Solid min	0.14 mm <sup>2</sup>	Material	PA 6.6
Solid max	2.5 mm <sup>2</sup>	Flammability Class	UL 94 V-0
Stranded (flexible) min	0.14mm <sup>2</sup>	<b>Temperatures</b>	
Stranded (flexible) max	1.5 mm <sup>2</sup>	Operating Temperature (without mech. load)	-40 °C - 105 °C
Stranded with Ferrule min	0.25 mm <sup>2</sup>	Store Temperature	-40 °C - 105 °C
Stranded with Ferrule max	1.0 mm <sup>2</sup>	<b>Wave Soldering Process</b>	
<b>Dimensions</b>		Soldering Temperature, recommended	-
Stripped Length	11.0 mm	Peak Soldering Time, recommended	-
<b>Materials</b>		<b>Reflow Process</b>	
Contact Spring	Copper Alloy	Soldering Temperature, recommended	-
Clamp Spring	Stainless Steel	Peak Soldering Time, recommended	-

## Colours

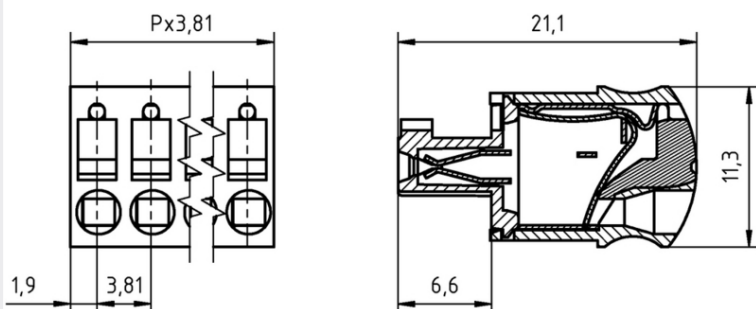
	BASALT GREY, RAL 7012
	GREEN, RAL 6018
	LIGHT GREEN, similar RAL 6018

Colours according to RAL, there may be variations on colour due to production conditions. Special colours on request.

## Counterparts (Spacing 7.62 mm)

Pin Strip		
STLZ1550	STLZ1570	STLZ1590

In combination of connectors with different admission data, the lower value is valid.



## Order Data (Spacing 7.62 mm)

Poles	Width (mm)	Article Designation	Article Number	PU
2	11.43	AKZ4551/2KD-7.62-BASALTGREY	54551020461 F	200
3	19.05	AKZ4551/3KD-7.62-BASALTGREY	54551030461 F	200
4	26.67	AKZ4551/4KD-7.62-BASALTGREY	54551040461 E	100
5	34.29	AKZ4551/5KD-7.62-BASALTGREY	54551050461 D	50
6	41.91	AKZ4551/6KD-7.62-BASALTGREY	54551060461 D	50
7	49.53	AKZ4551/7KD-7.62-BASALTGREY	54551070461 D	50
8	57.15	AKZ4551/8KD-7.62-BASALTGREY	54551080461 D	50
9	64.77	AKZ4551/9KD-7.62-BASALTGREY	54551090461 D	50
10	72.39	AKZ4551/10KD-7.62-BASALTGREY	54551100461 D	50

## Accessoires

Figure	Designation	Article Number
	Series AK(Z)4551 with pull relief	Order Data: on request

## Ratings

UseGroup	C <sup>RU</sup> US			VDE	
	B	C	D		
Rated Voltage	300 V	-	300 V	500 V	
Rated Current	10 A	-	-	10 A	
Overvoltage Category				III	
Rated Wire Size			min		max
- solid	AWG 26-16	-	AWG 26-16	0.14 mm <sup>2</sup> (3 A)	2.5 mm <sup>2</sup> (10 A)
- stranded	AWG 26-16	-	AWG 26-16	0.14 mm <sup>2</sup> (3 A)	1.5 mm <sup>2</sup> (10 A)
Test Voltage	1.60 kV	-	1.60 kV	6.0 kV	
Pollution Degree				3	