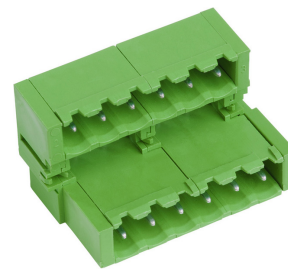


# STLZ970/..G-10.16-H-GREEN



A Phoenix Mecano Brand



## Technical Data

Wire sizes		Insulating Material	
Solid min	-	Material	PBT
Solid max	-	Flammability Class	UL 94 V-0
Stranded (flexible) min	-	<b>Temperatures</b>	
Stranded (flexible) max	-	Operating Temperature (without mech. load)	-40 °C - 105 °C
Stranded with Ferrule min	-	Store Temperature	-40 °C - 105 °C
Stranded with Ferrule max	-	<b>Wave Soldering Process</b>	
<b>Dimensions</b>		Soldering Temperature, recommended	260 °C
PCB Hole Diameter	1.4 mm	Peak Soldering Time, recommended	3-4 s
<b>Materials</b>		<b>Reflow Process</b>	
Contact Pin	Copper Alloy	Soldering Temperature, recommended	-
		Peak Soldering Time, recommended	-

## Colours

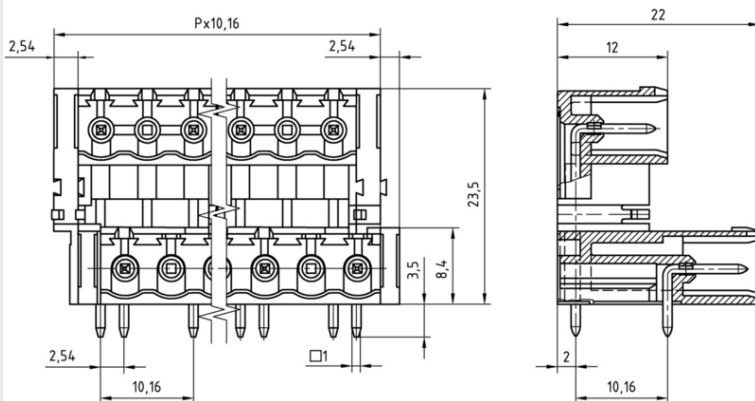
	PEBBLE GREY, RAL 7032
	GREEN, RAL 6018
	LIGHT GREEN, similar RAL 6018

Colours according to RAL, there may be variations on colour due to production conditions. Special colours on request.

## Counterparts (Spacing 10.16 mm)

Terminal Block			
AKZ950	AKZ1100	AKZ1110	AKZ1200

In combination of connectors with different admission data, the lower value is valid.



## Order Data (Spacing 10.16 mm)

Poles	Width (mm)	Article Designation	Article Number	PU
2	22.86	STLZ970/2G-10.16-H-GREEN	50970025061 E	100
3	33.02	STLZ970/3G-10.16-H-GREEN	50970035061 D	50
4	43.18	STLZ970/4G-10.16-H-GREEN	50970045061 D	50
5	53.34	STLZ970/5G-10.16-H-GREEN	50970055061 D	50
6	63.50	STLZ970/6G-10.16-H-GREEN	50970065061 D	50

## Accessoires

Figure	Designation	Article Number
	Coding Star CS2-5.0/5.08-RED	Order Data: 50000000024
	Separating Element SE-STL950-GREEN	Order Data: 50950000002

## Ratings

UseGroup	C <sup>RU</sup> US			VDE
	B	C	D	
Rated Voltage	300 V	150 V	300 V	500 V
Rated Current	15 A	15 A	-	12 A
Overvoltage Category				III
Test Voltage	1.60 kV	1.30 kV	1.60 kV	6.0 kV
Pollution Degree				3