

Series 3026/2W

- Test Probe with switching function for cable harness test and presence verification
- Plug-in and threaded type available
- Monitoring of components or periphery
- High soldering temperature up to 300°C

Mechanical Data

Center	2.54 mm/100 mil
Temperature Range	-30 °C - +120 °C
Full Travel	5.00 mm
Working Travel	4.00 mm
Switching Travel	1.50 mm
Pre-loaded Spring Force	0.15/ 0.40/ 0.50/ 1.70 N
Spring Force at Working Travel	0.80/ 1.50/ 3.00/ 6.50 N
Spring Force at Switching Travel	0.20/ 0.60/ 1.25/ 3.30 N

Electrical Data

Receptacle-Plunger	
Max. Current Rating	3.0 A
Typical Continuity Resistance	<= 20 mOhm
Pin-Plunger	
Max. Current Rating	1.0 A
Typical Continuity Resistance	<= 50 mOhm
Typical Insulating Voltage	1000 V

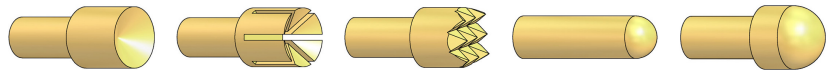
Materials

Barrel	Brass, gold plated
Spring	Spring Steel, gold plated
Plunger	CuBe, gold plated
Receptacle	Brass, gold plated

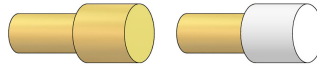
Recommended Diameter of Drill

HP 2361.1 (Trolitax)	2.00 mm
HGW 2372	2.01 mm

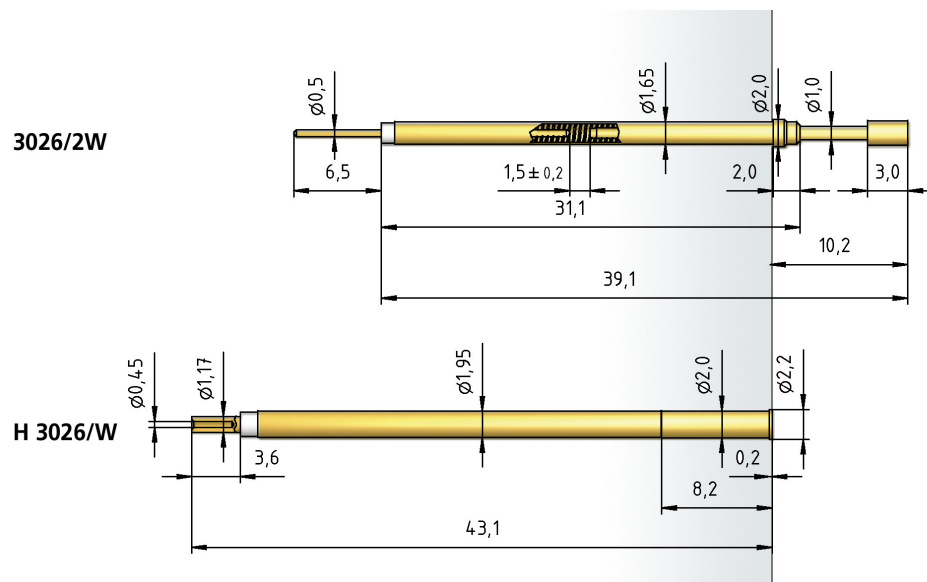
Tip style - Diameter - Plating



A	A6	C	D	D1
1.80C Au	1.80C Au	1.80C Au	1.00C Au	0.64 Au 0.80 Au



F	F1
1.00C Au 1.80C Au	1.80C HTK



How to Order

3026/	2	W	-	F	-	1.5 N	-	Au	-	1.8
1	2	3	4	5	6	7				

1. Series 2. Collar Height 3. Interchangeable without Soldering
4. Tip Style 5. Spring Force 6. Tip Plating
7. Tip Diameter