

Series 3014/2G

- Test Probe with switching function for cable harness test and presence verification
- Threaded type
- Easy-replacement system (replacement without soldering)
- Short design (24.5 mm)
- High soldering temperature up to 300°C

Mechanical Data

Center	4.00 mm/160 mil
Temperature Range	-30 °C - +120 °C
Full Travel	5.00 mm
Working Travel	4.00 mm
Switching Travel	1.70 mm
Pre-loaded Spring Force	0.50/ 1.00 N
Spring Force at Working Travel	1.50/ 3.00 N
Spring Force at Switching Travel	0.90/ 1.85 N

Electrical Data

Receptacle-Plunger

Max. Current Rating	3.0 A
Typical Continuity Resistance	<= 20 mOhm

Pin-Plunger

Max. Current Rating	1.0 A
Typical Continuity Resistance	<= 40 mOhm
Typical Insulating Voltage	1000 V

Materials

Barrel	Brass, gold-plated
Spring	Spring Steel, gold-plated
Plunger	CuBe
Receptacle	Brass, gold-plated

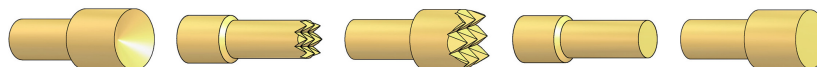
Recommended Diameter of Drill

HP 2361.1 (Trolitax)	3.50 mm
HGW 2372	3.51 mm

Available Screw Tools

Article Designation	max. Tip Diameter
WFS 1060/G-4.0-3.0	3.0
WFS 1060/G-5.0-4.0-Z	4.0
WFS 1060/G-6.0-5.0-Z	5.0

Tip style - Diameter - Plating

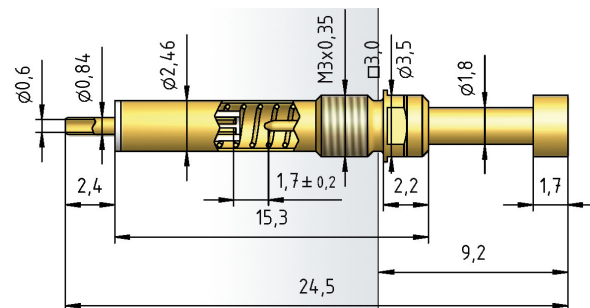


A	C	C	F	F
3.00C Au	1.00C Au	2.00C Au 3.00C Au	1.00C Au	2.00C Au 3.00C Au

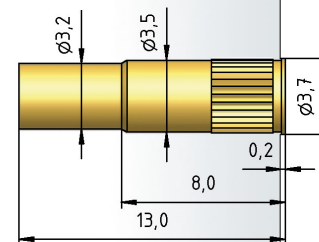


F1
2.00 HTK
3.00 HTK

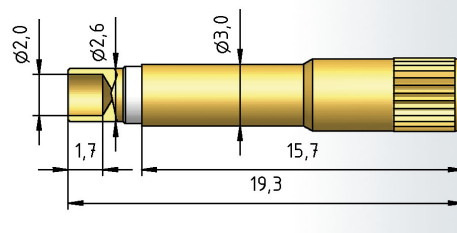
3014/2G



H 3014/GR



H 3014/GWR



How to Order

3014/ 2 G - A - 1.5 N - Au - 3.0 C

1 2 3 4 5 6 7 8

1. Series
2. Collar Height
3. Threaded Design
4. Tip Style
5. Spring Force
6. Tip Plating
7. Tip Diameter
8. Tip Material (only for CuBe)