



## Technical Data // Series 1078/G

High-Current Test Probe 250 mil / 6.35 mm

### HIGHLIGHTS

Compact design

Use in extreme production environments

For use in function test or IN-LINE-TEST

Test of high currents

### MECHANICAL DATA

Center	6.35 mm/250 mil
Temperature Range	-40 °C - +250 °C
Full Travel	5.50 mm
Working Travel	4.40 mm
Spring Force at Working Travel	see High-Temperature Applications

### ELEKTRISCHE WERTE ELECTRICAL DATA

Max. Current Rating	75.0 A
Typical Continuity Resistance	<= 5 mOhm

### MATERIALS

Barrel	Brass, silver-plated
Spring	Stainless Steel, gold-plated
Plunger	CuBe, gold-plated/Silver Cap
Receptacle	Brass, silver-plated

### HIGH-TEMPERATURE APPLICATIONS

Temperature Range	-30 °C - +250 °C
Pre-Loaded Spring Force	2.20/ 4.50 N
Spring Force at Working Travel (Order Index E)	5.00/ 10.00 N

### AVAILABLE SCREW TOOLS

Article Designation	max. Tip Diameter
WFSB 3015/G-7.0	5.0



# Technical Data // Series 1078/G

High-Current Test Probe 250 mil / 6.35 mm

## TIP STYLE - DIAMETER - PLATING



CX

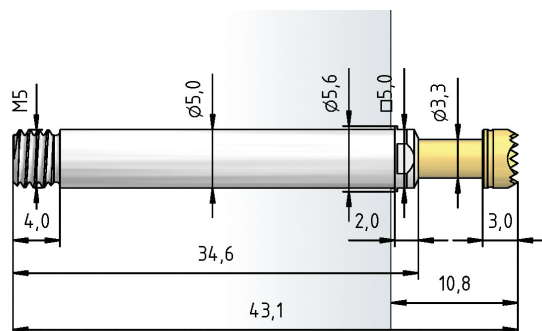
5.00C Au



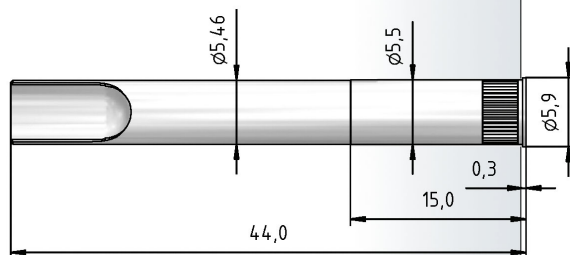
DNX

4.00C Ag

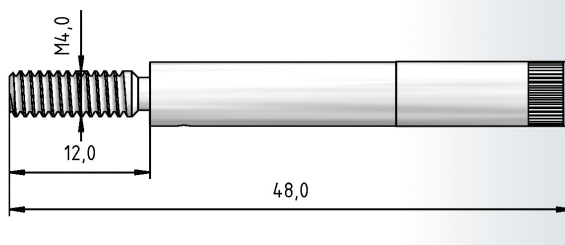
1078/G



H 1078/GR-L



H 1078/GR-M4



### HOW TO ORDER

1078/ G - CX - 5.0 N E - Au - 5.0 C  
 1 2 3 4 5 6 7 8

- 1. Series 2. Threaded Design 3. Tip Style
- 4. Spring Force 5. High Temperature 6. Tip Plating
- 7. Tip Diameter 8. Tip Material (only for CuBe)