



Technical Data // IF Kontakte

Interface Contact

HIGHLIGHTS

Universal field of application

Contacting of assembled PCBs

Interface pin

MECHANICAL DATA

Temperature Range -30 °C - +120 °C

ELEKTRISCHE WERTE ELECTRICAL DATA

Max. Current Rating 3.0 A

Typical Continuity Resistance ≤ 30 mOhm

MATERIALS

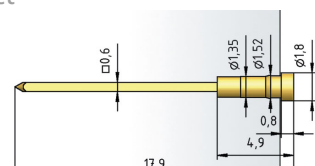
IK/GK Brass, gold-plated



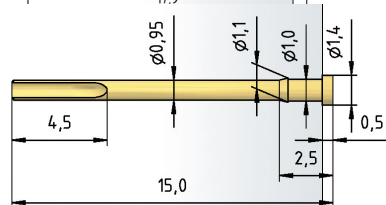
Technical Data // IF Kontakte

Interface Contact

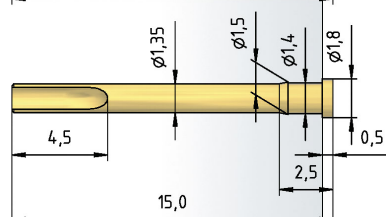
IK 6010.00



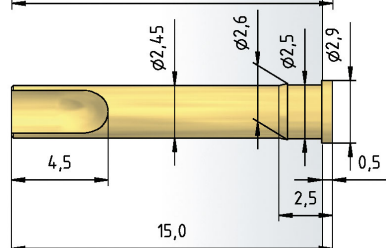
GK 75



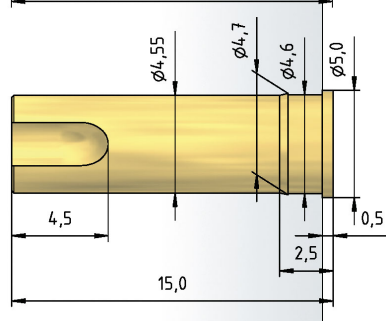
GK 100



GK 140



GK 230



HOW TO ORDER

IK 6010.01

1 2
1. Series 2. Variant