

# Series 1041 • 1041/W

- Stable design
- Contacting of assembled PCBs
- Universal applications

## Mechanical Data

Center	4.50 mm/177 mil
Temperature Range	-30 °C - +120 °C
Full Travel	5.50 mm
Working Travel	4.80 mm
Pre-loaded Spring Force	0.25/ 0.75/ 0.60 N
Spring Force at Working Travel	1.50/ 3.00/ 5.00 N

## Electrical Data

Max. Current Rating	5.0...8.0 A
Typical Continuity Resistance	<= 30 mOhm

## Materials

Barrel	Brass, gold plated
Spring	Spring Steel, gold plated
Plunger	Steel
Receptacle	Brass, gold plated

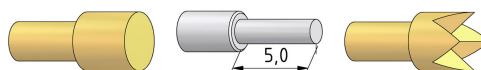
## Recommended Diameter of Drill

HP 2361.1 (Trolitax)	3.50 mm
HGW 2372	3.52 mm

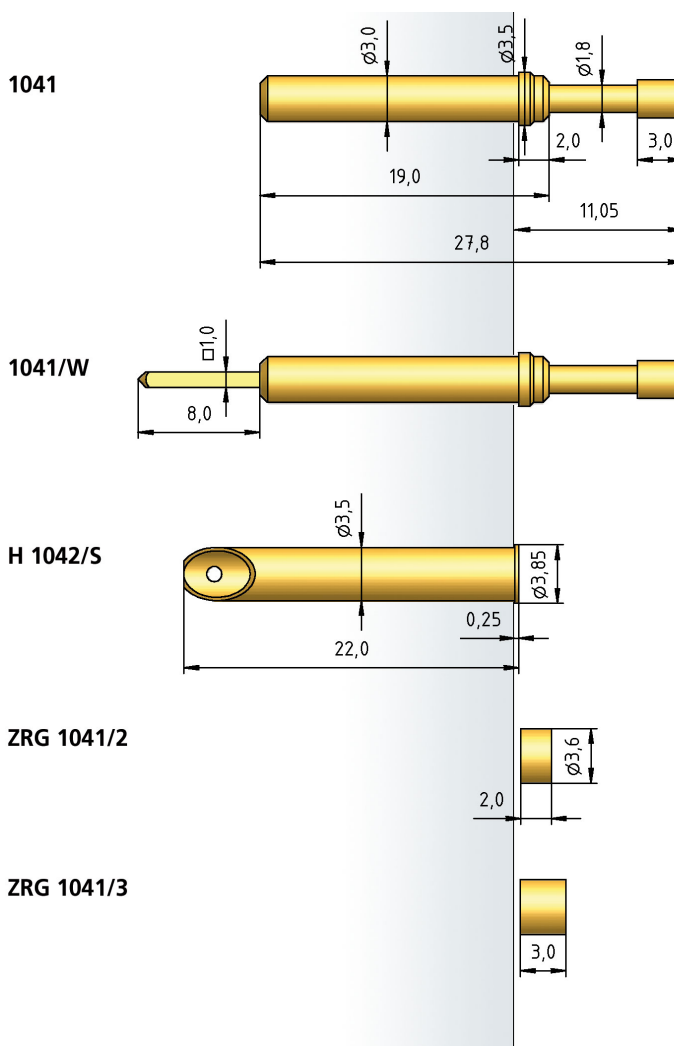
## Tip style - Diameter - Plating



A	B	BA	C	D
2.50 Ni/Rh 4.00 Au	1.80 Ni/Rh	1.80 Au/Ni	2.30 Au/Ni/Rh 3.00 Au/Ni 4.00 Au/Ni/Rh	2.30 Au



F	F3	G
2.30 Au 4.00 Au	1.00 Rh	2.30 Rh 4.00 Au



## How to Order

1041/ W - C - 1.5 N - Au - 4.0/ - MH5.5

1 2 3 4 5 6 7

1. Series
2. Wire-Wrap Connector
3. Tip Style
4. Spring Force
5. Tip Plating
6. Tip Diameter
7. Full Travel