

# AK2200/..-10.0-H-GREEN

- 2 to n poles



A Phoenix Mecano Brand

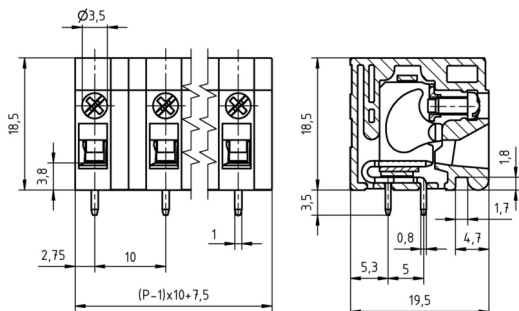
## Technical Data

Wire sizes		Insulating Material	
Solid min	0.2 mm <sup>2</sup>	Material	PA 6.6
Solid max	4.0 mm <sup>2</sup>	Flammability Class	UL 94 V-0
Stranded (flexible) min	0.2mm <sup>2</sup>	<b>Temperatures</b>	
Stranded (flexible) max	2.5 mm <sup>2</sup>	Operating Temperature (without mech. load)	-40 °C - 105 °C
Stranded with Ferrule min	0.25 mm <sup>2</sup>	Store Temperature	-40 °C - 105 °C
Stranded with Ferrule max	2.5 mm <sup>2</sup>	<b>Wave Soldering Process</b>	
<b>Dimensions</b>		Soldering Temperature, recommended	260 °C
Stripped Length	9.0 mm	Peak Soldering Time, recommended	3-4 s
PCB Hole Diameter	1.3 mm	<b>Reflow Process</b>	
<b>Materials</b>		Soldering Temperature, recommended	-
Screw	Steel	Peak Soldering Time, recommended	-
Solder Tab	Copper Alloy		
Clamp Cage	Steel		
Excenter	Steel		

## Colours

- GREEN, RAL 6018
- BLACK, RAL 9011
- LIGHT GREEN, similar RAL 6018


Colours according to RAL, there may be variations on colour due to production conditions. Special colours on request.



## Order Data (Spacing 10.0 mm)

Poles	Width (mm)	Article Designation	Article Number	PU
2	17.50	AK2200/2-10.0-H-GREEN	52200020091 D	50
3	27.50	AK2200/3-10.0-H-GREEN	52200030091 D	50
4	37.50	AK2200/4-10.0-H-GREEN	52200040091 D	50
5	47.50	AK2200/5-10.0-H-GREEN	52200050091 D	50
6	57.50	AK2200/6-10.0-H-GREEN	52200060091 D	50
7	67.50	AK2200/7-10.0-H-GREEN	52200070091 D	50
8	77.50	AK2200/8-10.0-H-GREEN	52200080091 D	50
9	87.50	AK2200/9-10.0-H-GREEN	52200090091 D	50
10	97.50	AK2200/10-10.0-H-GREEN	52200100091 D	50
11	107.50	AK2200/11-10.0-H-GREEN	52200110091 D	50
12	117.50	AK2200/12-10.0-H-GREEN	52200120091 D	50

## Accessoires

Figure	Designation	Article Number
	Spacer SPC-AK2200-GREEN	Order Data: 52200000002

## Ratings

UseGroup	cRU <sup>®</sup> US			VDE	
	B	C	D		
Rated Voltage	600 V	-	600 V	1000 V	
Rated Current	20 A	-	5 A	24 A	
Rated Wire Size				min	max
- solid	AWG 30-12	-	AWG 30-12	0.5 mm <sup>2</sup>	2.5 mm <sup>2</sup>
- stranded	AWG 30-12	-	AWG 30-12	0.5 mm <sup>2</sup>	2.5 mm <sup>2</sup>
Torque	0.50 - 0.60 Nm	-	0.50 - 0.60 Nm	0.50 Nm	
Screw Size	M2.5	-	M2.5	M2.5	
Test Voltage	2.20 kV	-	2.20 kV	3.5 kV	