



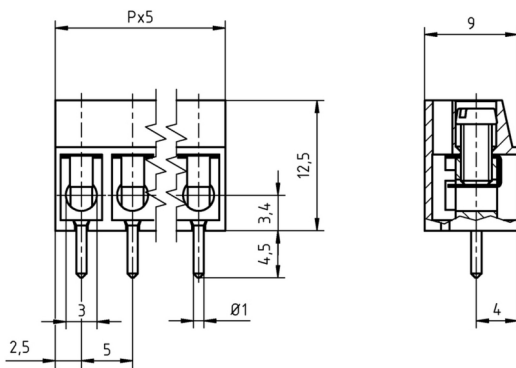
### Technical Data

Wire sizes		Insulating Material	
Solid min	0.2 mm <sup>2</sup>	Material	PA 6.6
Solid max	2.5 mm <sup>2</sup>	Flammability Class	UL 94 V-0
Stranded (flexible) min	0.2mm <sup>2</sup>	<b>Temperatures</b>	
Stranded (flexible) max	2.5 mm <sup>2</sup>	Operating Temperature (without mech. load)	-40 °C - 105 °C
Stranded with Ferrule min	0.2 mm <sup>2</sup>	Store Temperature	-40 °C - 105 °C
Stranded with Ferrule max	2.5 mm <sup>2</sup>	<b>Wave Soldering Process</b>	
<b>Dimensions</b>		Soldering Temperature, recommended	260 °C
Stripped Length	7.0 mm	Peak Soldering Time, recommended	3-4 s
PCB Hole Diameter	1.3 mm	<b>Reflow Process</b>	
<b>Materials</b>		Soldering Temperature, recommended	-
Clamp	Brass	Peak Soldering Time, recommended	-
Wire Guard	Stainless Steel		
Screw	Steel		

### Colours

GREY, RAL 7016

Colours according to RAL, there may be variations on colour due to production conditions. Special colours on request.



### Order Data (Spacing 5.0 mm)

Poles	Width (mm)	Article Designation	Article Number	PU
2	10.00	AK100/2DS-5.0-V-GREY-BL	50100022121 G	250
3	15.00	AK100/3DS-5.0-V-GREY-BL	50100032121 G	250
4	20.00	AK100/4DS-5.0-V-GREY-BL	50100042121 G	250
5	25.00	AK100/5DS-5.0-V-GREY-BL	50100052121 G	250
6	30.00	AK100/6DS-5.0-V-GREY-BL	50100062121 F	200
7	35.00	AK100/7DS-5.0-V-GREY-BL	50100072121 F	200
8	40.00	AK100/8DS-5.0-V-GREY-BL	50100082121 E	100
9	45.00	AK100/9DS-5.0-V-GREY-BL	50100092121 E	100
10	50.00	AK100/10DS-5.0-V-GREY-BL	50100102121 E	100
11	55.00	AK100/11DS-5.0-V-GREY-BL	50100112121 E	100
12	60.00	AK100/12DS-5.0-V-GREY-BL	50100122121 E	100

### Accessoires

Figure	Designation	Article Number
	Bridge, 2-pole, insulated, BR1/2-5.0/5.08-LIGHT GREY	Order Data: 50000000006
	Bridge, 3-pole, insulated, BR1/3-5.0/5.08-LIGHT GREY	Order Data: 50000000007
	Bridge, 2-pole, BR/2-5.0/5.08-L7.0	Order Data: 50000000008

### Ratings

UseGroup	cRU <sup>®</sup> US			VDE	
	B	C	D		
Rated Voltage	300 V	-	300 V	250 V	
Rated Current	20 A	-	10 A	24 A	
Rated Wire Size				min	max
- solid	AWG 22-12	-	AWG 22-12	0.5 mm <sup>2</sup>	2.5 mm <sup>2</sup>
- stranded	AWG 22-12	-	AWG 22-12	0.5 mm <sup>2</sup>	2.5 mm <sup>2</sup>
Torque	0.45 Nm	-	0.45 Nm	0.50 Nm	
Screw Size	M3	-	M3	M3	
Test Voltage	1.60 kV	-	1.60 kV	2.0 kV	