

# AKZ3191/..KD-2.54-ORANGE





A Phoenix Mecano Brand

- 1 to n poles

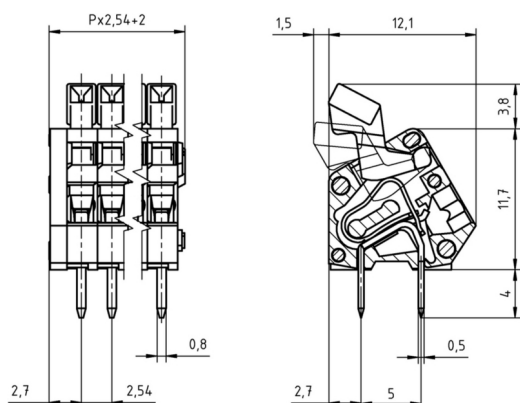
## Technical Data

Wire sizes		Insulating Material	
Solid min	0.08 mm <sup>2</sup>	Material	PA 6.6
Solid max	1.0 mm <sup>2</sup>	Flammability Class	UL 94 V-0
Stranded (flexible) min	0.14mm <sup>2</sup>	<b>Temperatures</b>	
Stranded (flexible) max	0.5 mm <sup>2</sup>	Operating Temperature (without mech. load)	-40 °C - 105 °C
Stranded with Ferrule min	0.14 mm <sup>2</sup>	Store Temperature	-40 °C - 105 °C
Stranded with Ferrule max	0.14 mm <sup>2</sup>	<b>Wave Soldering Process</b>	
<b>Dimensions</b>		Soldering Temperature, recommended	260 °C
Stripped Length	5.0 mm	Peak Soldering Time, recommended	3-4 s
PCB Hole Diameter	1.1 mm	<b>Reflow Process</b>	
<b>Materials</b>		Soldering Temperature, recommended	-
Solder Tab	Copper Alloy	Peak Soldering Time, recommended	-
Tension Spring	Stainless Steel		

## Colours

	PEBBLE GREY, RAL 7032
	ORANGE, RAL 2011

Colours according to RAL, there may be variations on colour due to production conditions. Special colours on request.



## Order Data (Spacing 2.54 mm)

Poles	Width (mm)	Article Designation	Article Number	PU
1	4.54	AKZ3191/1KD-2.54-ORANGE	53191010321 F	200
2	7.08	AKZ3191/2KD-2.54-ORANGE	53191020321 F	200
3	9.62	AKZ3191/3KD-2.54-ORANGE	53191030321 F	200
4	12.16	AKZ3191/4KD-2.54-ORANGE	53191040321 F	200
5	14.70	AKZ3191/5KD-2.54-ORANGE	53191050321 E	100
6	17.24	AKZ3191/6KD-2.54-ORANGE	53191060321 E	100
7	19.78	AKZ3191/7KD-2.54-ORANGE	53191070321 E	100
8	22.32	AKZ3191/8KD-2.54-ORANGE	53191080321 D	50
9	24.86	AKZ3191/9KD-2.54-ORANGE	53191090321 D	50
10	27.40	AKZ3191/10KD-2.54-ORANGE	53191100321 D	50
11	29.94	AKZ3191/11KD-2.54-ORANGE	53191110321 D	50
12	32.48	AKZ3191/12KD-2.54-ORANGE	53191120321 D	50

## Ratings

UseGroup	C <sup>RU</sup> US			VDE	
	B	C	D		
Rated Voltage	150 V	-	-	130 V	
Rated Current	4 A	-	-	9 A	
Rated Wire Size				min	max
- solid	AWG 28-20	-	-	0.2 mm <sup>2</sup>	0.5 mm <sup>2</sup>
- stranded	-	-	-	-	-
Test Voltage	1.30 kV	-	-	1.25 kV	