

Tension Spring | Spacing 2.54 mm

AKZ3191/..-2.54-ORANGE

- 1 to n poles



A Phoenix Mecano Brand

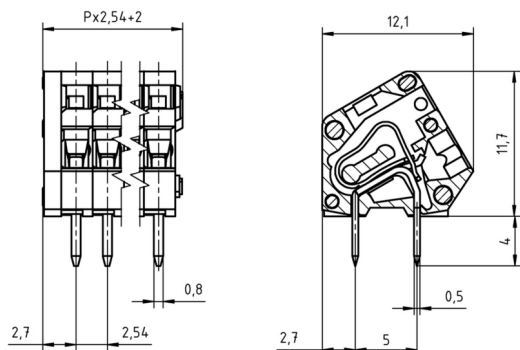
Technical Data

Wire sizes		Insulating Material	
Solid min	0.08 mm ²	Material	PA 6.6
Solid max	1.0 mm ²	Flammability Class	UL 94 V-0
Stranded (flexible) min	0.14mm ²	Temperatures	
Stranded (flexible) max	0.5 mm ²	Operating Temperature (without mech. load)	-40 °C - 105 °C
Stranded with Ferrule min	0.14 mm ²	Store Temperature	-40 °C - 105 °C
Stranded with Ferrule max	0.14 mm ²	Wave Soldering Process	
Dimensions		Soldering Temperature, recommended	260 °C
Stripped Length	5.0 mm	Peak Soldering Time, recommended	3-4 s
PCB Hole Diameter	1.1 mm	Reflow Process	
Materials		Soldering Temperature, recommended	-
Solder Tab	Copper Alloy	Peak Soldering Time, recommended	-
Tension Spring	Stainless Steel		

Colours

	PEBBLE GREY, RAL 7032
	ORANGE, RAL 2011

Colours according to RAL, there may be variations on colour due to production conditions. Special colours on request.



Order Data (Spacing 2.54 mm)

Poles	Width (mm)	Article Designation	Article Number	PU
1	4.54	AKZ3191/1-2.54-ORANGE	53191011321 F	200
2	7.08	AKZ3191/2-2.54-ORANGE	53191021321 F	200
3	9.62	AKZ3191/3-2.54-ORANGE	53191031321 F	200
4	12.16	AKZ3191/4-2.54-ORANGE	53191041321 F	200
5	14.70	AKZ3191/5-2.54-ORANGE	53191051321 E	100
6	17.24	AKZ3191/6-2.54-ORANGE	53191061321 E	100
7	19.78	AKZ3191/7-2.54-ORANGE	53191071321 E	100
8	22.32	AKZ3191/8-2.54-ORANGE	53191081321 D	50
9	24.86	AKZ3191/9-2.54-ORANGE	53191091321 D	50
10	27.40	AKZ3191/10-2.54-ORANGE	53191101321 D	50
11	29.94	AKZ3191/11-2.54-ORANGE	53191111321 D	50
12	32.48	AKZ3191/12-2.54-ORANGE	53191121321 D	50

Ratings

UseGroup	C ^{RU} US			VDE	
	B	C	D		
Rated Voltage	150 V	-	-	130 V	
Rated Current	4 A	-	-	6 A	
Rated Wire Size				min	max
- solid	AWG 28-20	-	-	0.2 mm ²	0.5 mm ²
- stranded	-	-	-	-	-
Test Voltage	1.30 kV	-	-	1.25 kV	