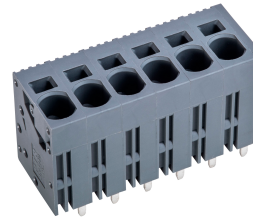


AK4210/..VP-7.5-V-BAGY

- 2 to n poles



A Phoenix Mecano Brand



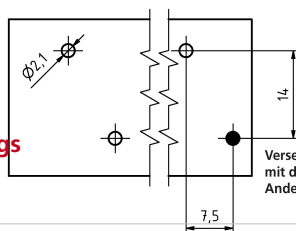
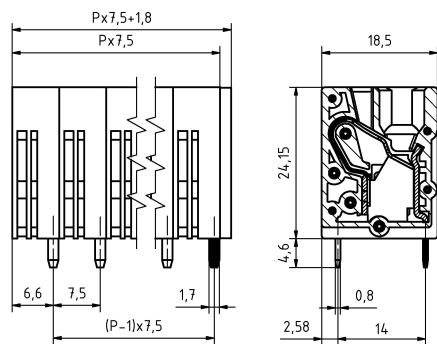
Technical Data

Wire sizes		Insulating Material	
Solid min	0.2 mm ²	Material	PA 6.6
Solid max	10.0 mm ²	Flammability Class	UL 94 V-0
Stranded (flexible) min	0.2mm ²	Temperatures	
Stranded (flexible) max	6.0 mm ²	Operating Temperature (without mech. load)	-40 °C - 105 °C
Stranded with Ferrule min	0.25 mm ²	Store Temperature	-40 °C - 105 °C
Stranded with Ferrule max	6.0 mm ²	Wave Soldering Process	
Dimensions		Soldering Temperature, recommended	260 °C
Stripped Length	15.0 mm	Peak Soldering Time, recommended	3-4 s
PCB Hole Diameter	2.1 mm	Reflow Process	
Materials		Soldering Temperature, recommended	-
Solder Tab	Copper Alloy	Peak Soldering Time, recommended	-
Clamp Spring	Stainless Steel		

Colours

	BASALT GREY, RAL 7012
	TRAFFIC GREY, RAL 7042
	BLACK, RAL 9011
	LIGHT GREEN, similar RAL 6018
	GREEN, RAL 6018
	GREEN/YELLOW, RAL 6018 - 1018/5
	BLUE, RAL 5015

Colours according to RAL, there may be variations on colour due to production conditions. Special colours on request.



Versetztes Pinning (VP) beginnt mit dem vorderen rechten Pin. Anderes Pinning auf Anfrage.

Ratings

UseGroup	B	C	D		
Rated Voltage	600 V	600 V	600 V	1000 V	
Rated Current	35 A	35 A	5 A	41 A	
Overtoltage Category				III	
Rated Wire Size				min	max
- solid	AWG 24-8	AWG 24-8	AWG 24-8	0.2 mm ²	10.0 mm ²
- stranded	AWG 24-8	AWG 24-8	AWG 24-8	0.2 mm ²	6.0 mm ²
Test Voltage	2.20 kV	2.20 kV	2.20 kV	3.5 kV	



Order Data (Spacing 7.5 mm)

Poles	Width (mm)	Article Designation	Article Number	PU
2	16.75	AK4210/2VP-7.5-V-baGY	54210020527 D	50
3	24.25	AK4210/3VP-7.5-V-baGY	54210030527 D	50
4	31.75	AK4210/4VP-7.5-V-baGY	54210040527 D	50
5	39.25	AK4210/5VP-7.5-V-baGY	54210050527 D	50
6	46.75	AK4210/6VP-7.5-V-baGY	54210060527 D	50
7	54.25	AK4210/7VP-7.5-V-baGY	54210070527 D	50
8	61.75	AK4210/8VP-7.5-V-baGY	54210080527 D	50
9	69.25	AK4210/9VP-7.5-V-baGY	54210090527 D	50
10	76.75	AK4210/10VP-7.5-V-baGY	54210100527 D	50
11	84.25	AK4210/11VP-7.5-V-baGY	54210110527 D	50
12	91.75	AK4210/12VP-7.5-V-baGY	54210120527 D	50

Accessoires

Figure	Designation	Article Number
	Spacer SPC-AK4210-V-baGY	Order Data: 54210000001