

# AK4200/..-5.0-V-BAGY

- 1 to n poles



**PTR**

A Phoenix Mecano Brand

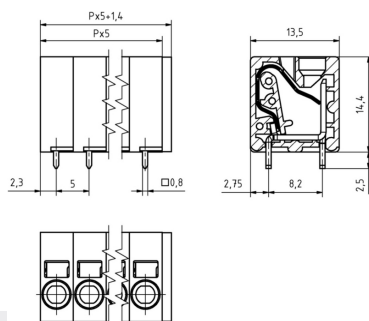
## Technical Data

Wire sizes		Insulating Material	
Solid min	0.2 mm <sup>2</sup>	Material	PA 6.6
Solid max	4.0 mm <sup>2</sup>	Flammability Class	UL 94 V-0
Stranded (flexible) min	0.2mm <sup>2</sup>	<b>Temperatures</b>	
Stranded (flexible) max	2.5 mm <sup>2</sup>	Operating Temperature (without mech. load)	-40 °C - 105 °C
Stranded with Ferrule min	0.2 mm <sup>2</sup>	Store Temperature	-40 °C - 105 °C
Stranded with Ferrule max	2.5 mm <sup>2</sup>	<b>Wave Soldering Process</b>	
<b>Dimensions</b>		Soldering Temperature, recommended	260 °C
Stripped Length	10.0 mm	Peak Soldering Time, recommended	3-4 s
PCB Hole Diameter	1.1 mm	<b>Reflow Process</b>	
<b>Materials</b>		Soldering Temperature, recommended	-
Solder Tab	Copper Alloy	Peak Soldering Time, recommended	-
Clamp Spring	Stainless Steel		

## Colours

	BASALT GREY, RAL 7012
	TRAFFIC GREY, RAL 7042
	LIGHT GREY, RAL 7035
	BLACK, RAL 9011
	LIGHT GREEN, similar RAL 6018
	GREEN, RAL 6018
	GREEN/YELLOW, RAL 6018 - 1018/5
	RED, RAL 3003
	ORANGE, RAL 2011
	BLUE, RAL 5015
	WHITE, RAL 9003

Colours according to RAL, there may be variations on colour due to production conditions. Special colours on request.



## Order Data (Spacing 5.0 mm)

Poles	Width (mm)	Article Designation	Article Number	PU
1	6.40	AK4200/1-5.0-V-baGY	54200010421 E	100
2	11.40	AK4200/2-5.0-V-baGY	54200020421 D	50
3	16.40	AK4200/3-5.0-V-baGY	54200030421 D	50
4	21.40	AK4200/4-5.0-V-baGY	54200040421 D	50
5	26.40	AK4200/5-5.0-V-baGY	54200050421 D	50
6	31.40	AK4200/6-5.0-V-baGY	54200060421 D	50
7	36.40	AK4200/7-5.0-V-baGY	54200070421 D	50
8	41.40	AK4200/8-5.0-V-baGY	54200080421 D	50
9	46.40	AK4200/9-5.0-V-baGY	54200090421 D	50
10	51.40	AK4200/10-5.0-V-baGY	54200100421 D	50
11	56.40	AK4200/11-5.0-V-baGY	54200110421 D	50
12	61.40	AK4200/12-5.0-V-baGY	54200120421 D	50

## Accessoires

Figure	Designation	Article Number
	Spacer SPC-AK4200-baGY	Order Data: 54200000000
	Side Wall with Coding Pin SW-AK4200-CP-V-baGY	Order Data: 54200000001

## Ratings

UseGroup	cRU <sup>®</sup> US			VDE	
	B	C	D		
Rated Voltage	300 V	-	300 V	250 V	
Rated Current	20 A	-	10 A	24 A	
Overtoltage Category				III	
Rated Wire Size			min		max
- solid	AWG 24-12	-	AWG 24-12	0.2 mm <sup>2</sup>	2.5 mm <sup>2</sup>
- stranded	AWG 24-12	-	AWG 24-12	0.2 mm <sup>2</sup>	2.5 mm <sup>2</sup>
Test Voltage	1.60 kV	-	1.60 kV	2.0 kV	