

## AK4092/..KD-6.0-P2.4-WH-HT

- Pin length 1.5 mm also available

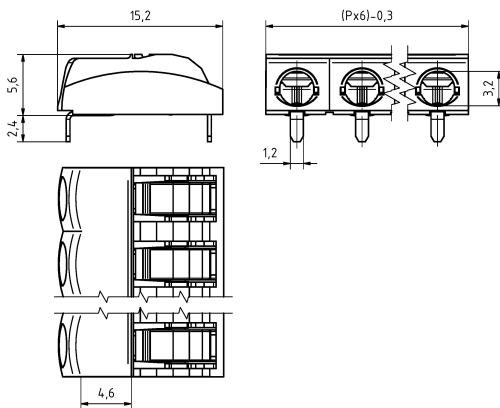


## Technical Data

Wire sizes		Insulating Material	
Solid min	0.5 mm <sup>2</sup>	Material	PPA
Solid max	1.5 mm <sup>2</sup>	Flammability Class	UL 94 V-0
Stranded (flexible) min	0.5 mm <sup>2</sup>	<b>Temperatures</b>	
Stranded (flexible) max	1.5 mm <sup>2</sup>	Operating Temperature (without mech. load)	-60 °C - 105 °C
Stranded with Ferrule min	0.5 mm <sup>2</sup>	<b>Wave Soldering Process</b>	
Stranded with Ferrule max	0.75 mm <sup>2</sup>	Soldering Temperature, recommended	-
<b>Dimensions</b>		Peak Soldering Time, recommended	-
Stripped Length	7.0 mm	<b>Reflow Process</b>	
PCB Hole Diameter	1.5 mm	Soldering Temperature, recommended	217 - 245 °C
<b>Materials</b>		Peak Soldering Time, recommended	60 s
Metal	Copper Alloy		

## Colours

WHITE, RAL 9003



## Order Data (Spacing 6.0 mm)

Poles	Width (mm)	Article Designation	Article Number	PU
1	5.70	AK4092/1KD-6.0-P2.4-WH-HT	54092010001 F	200
2	11.70	AK4092/2KD-6.0-P2.4-WH-HT	54092020001 F	200
3	17.70	AK4092/3KD-6.0-P2.4-WH-HT	54092030001 E	100
4	23.70	AK4092/4KD-6.0-P2.4-WH-HT	54092040001 E	100

## Electrical Data

		†		*			
Overvoltage Category		II		III		III	
Pollution Degree		2		2		3	
Rated Voltage		630 V		320 V		250 V	
Rated Voltage (1 pole)	600 V						
Rated Voltage (2 pole)	300 V						
Rated Current	10 A	17.5 A		17.5 A		17.5 A	
Rated Wire Size		min	max	min	max	min	max
- solid	AWG 20-16	0.5 mm <sup>2</sup>	1.5 mm <sup>2</sup>	0.5 mm <sup>2</sup>	1.5 mm <sup>2</sup>	0.5 mm <sup>2</sup>	1.5 mm <sup>2</sup>
- stranded	AWG 20-16	0.5 mm <sup>2</sup>	1.5 mm <sup>2</sup>	0.5 mm <sup>2</sup>	1.5 mm <sup>2</sup>	0.5 mm <sup>2</sup>	1.5 mm <sup>2</sup>
Test Voltage	-	4.0 kV		4.0 kV		4.0 kV	

\* Approval Pending \* Approval Pending