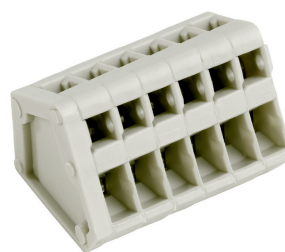


Tension Spring | Spacing 2.5 mm

# AK3191/..-2.5-PEBBLE GREY

- 1 to n poles





A Phoenix Mecano Brand

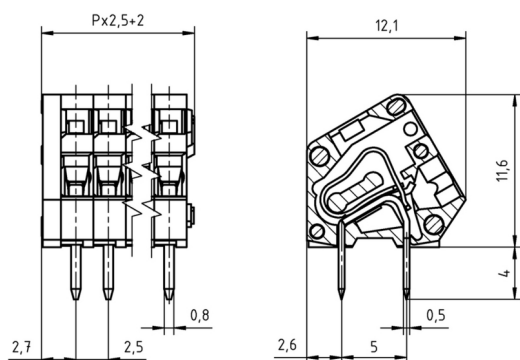
## Technical Data

Wire sizes		Insulating Material	
Solid min	0.08 mm <sup>2</sup>	Material	PA 6.6
Solid max	1.0 mm <sup>2</sup>	Flammability Class	UL 94 V-0
Stranded (flexible) min	0.14mm <sup>2</sup>	<b>Temperatures</b>	
Stranded (flexible) max	0.5 mm <sup>2</sup>	Operating Temperature (without mech. load)	-40 °C - 105 °C
Stranded with Ferrule min	0.14 mm <sup>2</sup>	Store Temperature	-40 °C - 105 °C
Stranded with Ferrule max	0.14 mm <sup>2</sup>	<b>Wave Soldering Process</b>	
<b>Dimensions</b>		Soldering Temperature, recommended	260 °C
Stripped Length	5.0 mm	Peak Soldering Time, recommended	3-4 s
PCB Hole Diameter	1.1 mm	<b>Reflow Process</b>	
<b>Materials</b>		Soldering Temperature, recommended	-
Solder Tab	Copper Alloy	Peak Soldering Time, recommended	-
Tension Spring	Stainless Steel		

## Colours

	PEBBLE GREY, RAL 7032
	ORANGE, RAL 2011

Colours according to RAL, there may be variations on colour due to production conditions. Special colours on request.



## Order Data (Spacing 2.5 mm)

Poles	Width (mm)	Article Designation	Article Number	PU
1	4.50	AK3191/1-2.5-PEBBLE GREY	53191010001 F	200
2	7.00	AK3191/2-2.5-PEBBLE GREY	53191020001 F	200
3	9.50	AK3191/3-2.5-PEBBLE GREY	53191030001 F	200
4	12.00	AK3191/4-2.5-PEBBLE GREY	53191040001 F	200
5	14.50	AK3191/5-2.5-PEBBLE GREY	53191050001 E	100
6	17.00	AK3191/6-2.5-PEBBLE GREY	53191060001 E	100
7	19.50	AK3191/7-2.5-PEBBLE GREY	53191070001 E	100
8	22.00	AK3191/8-2.5-PEBBLE GREY	53191080001 D	50
9	24.50	AK3191/9-2.5-PEBBLE GREY	53191090001 D	50
10	27.00	AK3191/10-2.5-PEBBLE GREY	53191100001 D	50
11	29.50	AK3191/11-2.5-PEBBLE GREY	53191110001 D	50
12	32.00	AK3191/12-2.5-PEBBLE GREY	53191120001 D	50

## Ratings

UseGroup	C <sup>RU</sup> US			VDE	
	B	C	D		
Rated Voltage	150 V	-	-	130 V	
Rated Current	4 A	-	-	6 A	
Rated Wire Size				min	max
- solid	AWG 28-20	-	-	0.2 mm <sup>2</sup>	0.5 mm <sup>2</sup>
- stranded	-	-	-	-	-
Test Voltage	1.30 kV	-	-	1.25 kV	