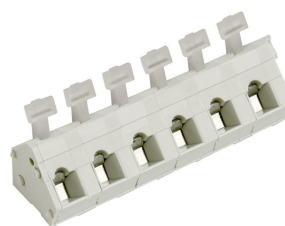


# AK3011/..KD-7.5-PEBBLE GREY



**PTR**

A Phoenix Mecano Brand

- 1 to n poles

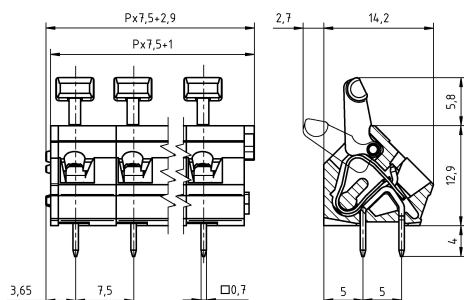
## Technical Data

Wire sizes		Insulating Material	
Solid min	0.08 mm <sup>2</sup>	Material	PA 6.6
Solid max	2.5 mm <sup>2</sup>	Flammability Class	UL 94 V-0
Stranded (flexible) min	0.14mm <sup>2</sup>	<b>Temperatures</b>	
Stranded (flexible) max	2.5 mm <sup>2</sup>	Operating Temperature (without mech. load)	-40 °C - 105 °C
Stranded with Ferrule min	0.14 mm <sup>2</sup>	Store Temperature	-40 °C - 105 °C
Stranded with Ferrule max	1.5 mm <sup>2</sup>	<b>Wave Soldering Process</b>	
<b>Dimensions</b>		Soldering Temperature, recommended	260 °C
Stripped Length	6.0 mm	Peak Soldering Time, recommended	3-4 s
PCB Hole Diameter	1.1 mm	<b>Reflow Process</b>	
<b>Materials</b>		Soldering Temperature, recommended	-
Solder Tab	Copper Alloy	Peak Soldering Time, recommended	-
Tension Spring	Stainless Steel		

## Colours

PEBBLE GREY, RAL 7032

Colours according to RAL, there may be variations on colour due to production conditions. Special colours on request.



## Order Data (Spacing 7.5 mm)

Poles	Width (mm)	Article Designation	Article Number	PU
1	10.40	AK3011/1KD-7.5-PEBBLE GREY	53011010001 F	200
2	17.90	AK3011/2KD-7.5-PEBBLE GREY	53011020001 E	100
3	25.40	AK3011/3KD-7.5-PEBBLE GREY	53011030001 E	100
4	32.90	AK3011/4KD-7.5-PEBBLE GREY	53011040001 E	100
5	40.40	AK3011/5KD-7.5-PEBBLE GREY	53011050001 E	100
6	47.90	AK3011/6KD-7.5-PEBBLE GREY	53011060001 D	50
7	55.40	AK3011/7KD-7.5-PEBBLE GREY	53011070001 D	50
8	62.90	AK3011/8KD-7.5-PEBBLE GREY	53011080001 D	50
9	70.40	AK3011/9KD-7.5-PEBBLE GREY	53011090001 D	50
10	77.90	AK3011/10KD-7.5-PEBBLE GREY	53011100001 D	50
11	85.40	AK3011/11KD-7.5-PEBBLE GREY	53011110001 D	50
12	92.90	AK3011/12KD-7.5-PEBBLE GREY	53011120001 D	50
13	100.40	AK3011/13KD-7.5-PEBBLE GREY	53011130001 D	50
14	107.90	AK3011/14KD-7.5-PEBBLE GREY	53011140001 D	50
15	115.40	AK3011/15KD-7.5-PEBBLE GREY	53011150001 D	50
16	122.90	AK3011/16KD-7.5-PEBBLE GREY	53011160001 D	50
17	130.40	AK3011/17KD-7.5-PEBBLE GREY	53011170001 D	50
18	137.90	AK3011/18KD-7.5-PEBBLE GREY	53011180001 D	50
19	145.40	AK3011/19KD-7.5-PEBBLE GREY	53011190001 D	50
20	152.90	AK3011/20KD-7.5-PEBBLE GREY	53011200001 D	50
21	160.40	AK3011/21KD-7.5-PEBBLE GREY	53011210001 D	50
22	167.90	AK3011/22KD-7.5-PEBBLE GREY	53011220001 D	50
23	175.40	AK3011/23KD-7.5-PEBBLE GREY	53011230001 D	50
24	182.90	AK3011/24KD-7.5-PEBBLE GREY	53011240001 D	50

## Accessoires

Figure	Designation	Article Number
	Bridge, 2-pole, insulated, BRI/2-7.5/7.62-L8.2-LIGHT GREY	Order Data: 50000000017

## Ratings



UseGroup	B	C	D		
Rated Voltage	300 V	-	300 V	750 V	
Rated Current	15 A	-	10 A	24 A	
Rated Wire Size				min	max
- solid	AWG 28-14	-	AWG 28-14	0.5 mm <sup>2</sup>	2.5 mm <sup>2</sup>
- stranded	AWG 28-14	-	AWG 28-14	0.5 mm <sup>2</sup>	2.5 mm <sup>2</sup>
Test Voltage	1.60 kV	-	1.60 kV	3.0 kV	