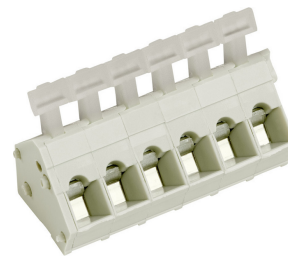


AK3001/..KD-5.0-PEBBLE GREY

- 1 to n poles



A Phoenix Mecano Brand

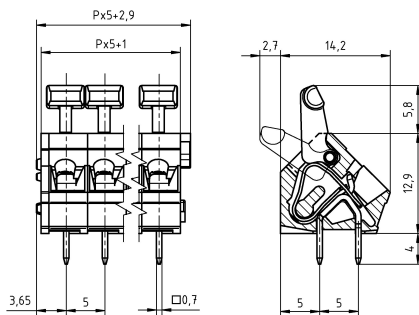
Technical Data

Wire sizes		Insulating Material	
Solid min	0.08 mm ²	Material	PA 6.6
Solid max	2.5 mm ²	Flammability Class	UL 94 V-0
Stranded (flexible) min	0.14mm ²	Temperatures	
Stranded (flexible) max	2.5 mm ²	Operating Temperature (without mech. load)	-40 °C - 105 °C
Stranded with Ferrule min	0.14 mm ²	Store Temperature	-40 °C - 105 °C
Stranded with Ferrule max	1.5 mm ²	Wave Soldering Process	
Dimensions		Soldering Temperature, recommended	260 °C
Stripped Length	6.0 mm	Peak Soldering Time, recommended	3-4 s
PCB Hole Diameter	1.1 mm	Reflow Process	
Materials		Soldering Temperature, recommended	-
Solder Tab	Copper Alloy	Peak Soldering Time, recommended	-
Tension Spring	Stainless Steel		

Colours

	PEBBLE GREY, RAL 7032
	GREY, RAL 7016
	LIGHT GREEN, similar RAL 6018
	GREEN, RAL 6018
	RED, RAL 3003
	ORANGE, RAL 2011
	BLUE, RAL 5015

Colours according to RAL, there may be variations on colour due to production conditions. Special colours on request.



Order Data (Spacing 5.0 mm)

Poles	Width (mm)	Article Designation	Article Number	PU
1	7.90	AK3001/1KD-5.0-PEBBLE GREY	53001010001 G	250
2	12.90	AK3001/2KD-5.0-PEBBLE GREY	53001020001 F	200
3	17.90	AK3001/3KD-5.0-PEBBLE GREY	53001030001 F	200
4	22.90	AK3001/4KD-5.0-PEBBLE GREY	53001040001 F	200
5	27.90	AK3001/5KD-5.0-PEBBLE GREY	53001050001 E	100
6	32.90	AK3001/6KD-5.0-PEBBLE GREY	53001060001 E	100
7	37.90	AK3001/7KD-5.0-PEBBLE GREY	53001070001 E	100
8	42.90	AK3001/8KD-5.0-PEBBLE GREY	53001080001 D	50
9	47.90	AK3001/9KD-5.0-PEBBLE GREY	53001090001 D	50
10	52.90	AK3001/10KD-5.0-PEBBLE GREY	53001100001 D	50
11	57.90	AK3001/11KD-5.0-PEBBLE GREY	53001110001 D	50
12	62.90	AK3001/12KD-5.0-PEBBLE GREY	53001120001 D	50
13	67.90	AK3001/13KD-5.0-PEBBLE GREY	53001130001 D	50
14	72.90	AK3001/14KD-5.0-PEBBLE GREY	53001140001 D	50
15	77.90	AK3001/15KD-5.0-PEBBLE GREY	53001150001 D	50
16	82.90	AK3001/16KD-5.0-PEBBLE GREY	53001160001 D	50
17	87.90	AK3001/17KD-5.0-PEBBLE GREY	53001170001 D	50
18	92.90	AK3001/18KD-5.0-PEBBLE GREY	53001180001 D	50
19	97.90	AK3001/19KD-5.0-PEBBLE GREY	53001190001 D	50
20	102.90	AK3001/20KD-5.0-PEBBLE GREY	53001200001 D	50
21	107.90	AK3001/21KD-5.0-PEBBLE GREY	53001210001 D	50
22	112.90	AK3001/22KD-5.0-PEBBLE GREY	53001220001 D	50
23	117.90	AK3001/23KD-5.0-PEBBLE GREY	53001230001 D	50
24	122.90	AK3001/24KD-5.0-PEBBLE GREY	53001240001 D	50

Accessoires

Figure	Designation	Article Number
	Bridge, 2-pole, insulated, BRI/2-5.0/5.08-LIGHT GREY	Order Data: 50000000006

	Bridge, 3-pole, insulated, BRI/3-5.0/5.08-LIGHT GREY	Order Data: 50000000007
--	--	-------------------------

	Bridge, 2-pole, BR/2-5.0/5.08-L7.0	Order Data: 50000000008
	min	max
	AWG 28-14	AWG 28-14
	0.5 mm ²	2.5 mm ²
	0.5 mm ²	2.5 mm ²
	1.60 kV	2.0 kV

Ratings

UseGroup	B	C	D	250 V	24 A
Rated Voltage	300 V	-	300 V	250 V	
Rated Current	15 A	-	10 A	24 A	
Rated Wire Size					
	- solid	AWG 28-14	-	AWG 28-14	0.5 mm ² 2.5 mm ²
	- stranded	AWG 28-14	-	AWG 28-14	0.5 mm ² 2.5 mm ²
Test Voltage	1.60 kV	-	1.60 kV	2.0 kV	