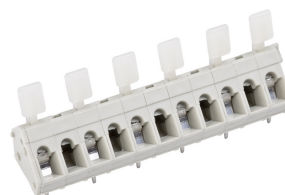


AK3001/..FD-10.0-PEBBLE GREY



A Phoenix Mecano Brand

- 2 to n poles

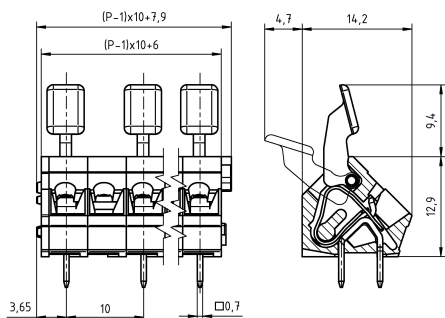
Technical Data

Wire sizes		Insulating Material	
Solid min	0.08 mm ²	Material	PA 6.6
Solid max	2.5 mm ²	Flammability Class	UL 94 V-0
Stranded (flexible) min	0.14mm ²	Temperatures	
Stranded (flexible) max	2.5 mm ²	Operating Temperature (without mech. load)	-40 °C - 105 °C
Stranded with Ferrule min	0.14 mm ²	Store Temperature	-40 °C - 105 °C
Stranded with Ferrule max	1.5 mm ²	Wave Soldering Process	
Dimensions		Soldering Temperature, recommended	260 °C
Stripped Length	6.0 mm	Peak Soldering Time, recommended	3-4 s
PCB Hole Diameter	1.1 mm	Reflow Process	
Materials		Soldering Temperature, recommended	-
Solder Tab	Copper Alloy	Peak Soldering Time, recommended	-
Tension Spring	Stainless Steel		

Colours

	PEBBLE GREY, RAL 7032
	GREY, RAL 7016
	LIGHT GREEN, similar RAL 6018
	GREEN, RAL 6018
	RED, RAL 3003
	ORANGE, RAL 2011
	BLUE, RAL 5015

Colours according to RAL, there may be variations on colour due to production conditions. Special colours on request.



Order Data (Spacing 10.0 mm)

Poles	Width (mm)	Article Designation	Article Number	PU
2	17.90	AK3001/2FD-10.0-PEBBLE GREY	53001020061 E	100
3	27.90	AK3001/3FD-10.0-PEBBLE GREY	53001030061 E	100
4	37.90	AK3001/4FD-10.0-PEBBLE GREY	53001040061 E	100
5	47.90	AK3001/5FD-10.0-PEBBLE GREY	53001050061 E	100
6	57.90	AK3001/6FD-10.0-PEBBLE GREY	53001060061 D	50
7	67.90	AK3001/7FD-10.0-PEBBLE GREY	53001070061 D	50
8	77.90	AK3001/8FD-10.0-PEBBLE GREY	53001080061 D	50
9	87.90	AK3001/9FD-10.0-PEBBLE GREY	53001090061 D	50
10	97.90	AK3001/10FD-10.0-PEBBLE GREY	53001100061 D	50
11	107.90	AK3001/11FD-10.0-PEBBLE GREY	53001110061 D	50
12	117.90	AK3001/12FD-10.0-PEBBLE GREY	53001120061 D	50
13	127.90	AK3001/13FD-10.0-PEBBLE GREY	53001130061 D	50
14	137.90	AK3001/14FD-10.0-PEBBLE GREY	53001140061 D	50
15	147.90	AK3001/15FD-10.0-PEBBLE GREY	53001150061 D	50
16	157.90	AK3001/16FD-10.0-PEBBLE GREY	53001160061 D	50
17	167.90	AK3001/17FD-10.0-PEBBLE GREY	53001170061 D	50
18	177.90	AK3001/18FD-10.0-PEBBLE GREY	53001180061 D	50
19	187.90	AK3001/19FD-10.0-PEBBLE GREY	53001190061 D	50
20	197.90	AK3001/20FD-10.0-PEBBLE GREY	53001200061 D	50
21	207.90	AK3001/21FD-10.0-PEBBLE GREY	53001210061 D	50
22	217.90	AK3001/22FD-10.0-PEBBLE GREY	53001220061 D	50
23	227.90	AK3001/23FD-10.0-PEBBLE GREY	53001230061 D	50
24	237.90	AK3001/24FD-10.0-PEBBLE GREY	53001240061 D	50

Ratings

UseGroup					
	B	C	D		
Rated Voltage	300 V	300 V	-	1000 V	
Rated Current	15 A	15 A	-	24 A	
Rated Wire Size				min	max
- solid	AWG 28-14	AWG 28-14	-	0.5 mm ²	2.5 mm ²
- stranded	AWG 28-14	AWG 28-14	-	0.5 mm ²	2.5 mm ²
Test Voltage	1.60 kV	1.60 kV	-	3.5 kV	