

AKZ955/..-5.08-GREEN



Technical Data

Wire sizes		Insulating Material	
Solid min	0.2 mm ²	Material	PA 6.6
Solid max	4.0 mm ²	Flammability Class	UL 94 V-0
Stranded (flexible) min	0.2 mm ²	Temperatures	
Stranded (flexible) max	4.0 mm ²	Operating Temperature (without mech. load)	-40 °C - 105 °C
Stranded with Ferrule min	0.25 mm ²	Store Temperature	-40 °C - 105 °C
Stranded with Ferrule max	2.5 mm ²	Wave Soldering Process	
Dimensions		Soldering Temperature, recommended	-
Stripped Length	7.0 mm	Peak Soldering Time, recommended	-
Materials		Reflow Process	
Clamp	Brass	Soldering Temperature, recommended	-
Screw	Steel	Peak Soldering Time, recommended	-
Contact Spring	Bronze		

Colours

	GREEN, RAL 6018
	BLACK, RAL 9011
	LIGHT GREY, RAL 7035
	LIGHT GREEN, similar RAL 6018

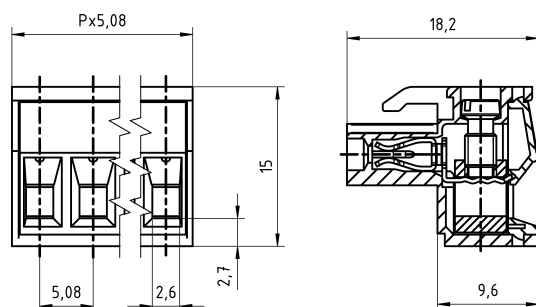
Colours according to RAL, there may be variations on colour due to production conditions. Special colours on request.

Counterparts (Spacing 5.08 mm)

Pin Strip/Terminal Block

AKZ950	STLZ950	STLZ950-HT	STLZ950-G-HT	STLZ970	STLZ990
--------	---------	------------	--------------	---------	---------

In combination of connectors with different admission data, the lower value is valid.



Order Data (Spacing 5.08 mm)

Poles	Width (mm)	Article Designation	Article Number	PU
2	10.16	AKZ955/2-5.08-GREEN	50955020021 F	200
3	15.24	AKZ955/3-5.08-GREEN	50955030021 F	200
4	20.32	AKZ955/4-5.08-GREEN	50955040021 F	200
5	25.40	AKZ955/5-5.08-GREEN	50955050021 E	100
6	30.48	AKZ955/6-5.08-GREEN	50955060021 E	100
7	35.56	AKZ955/7-5.08-GREEN	50955070021 E	100
8	40.64	AKZ955/8-5.08-GREEN	50955080021 D	50
9	45.72	AKZ955/9-5.08-GREEN	50955090021 D	50
10	50.80	AKZ955/10-5.08-GREEN	50955100021 D	50
11	55.88	AKZ955/11-5.08-GREEN	50955110021 D	50
12	60.96	AKZ955/12-5.08-GREEN	50955120021 D	50
13	66.04	AKZ955/13-5.08-GREEN	50955130021 D	50
14	71.12	AKZ955/14-5.08-GREEN	50955140021 D	50
15	76.20	AKZ955/15-5.08-GREEN	50955150021 D	50
16	81.28	AKZ955/16-5.08-GREEN	50955160021 D	50
17	86.36	AKZ955/17-5.08-GREEN	50955170021 D	50
18	91.44	AKZ955/18-5.08-GREEN	50955180021 D	50
19	96.52	AKZ955/19-5.08-GREEN	50955190021 D	50
20	101.60	AKZ955/20-5.08-GREEN	50955200021 D	50
21	106.68	AKZ955/21-5.08-GREEN	50955210021 D	50
22	111.76	AKZ955/22-5.08-GREEN	50955220021 D	50
23	116.84	AKZ955/23-5.08-GREEN	50955230021 D	50
24	121.92	AKZ955/24-5.08-GREEN	50955240021 D	50

Accessoires

Figure	Designation	Article Number
	Bridge, 2-pole, insulated, BRI/2-5.0/5.08-LIGHT GREY	Order Data: 50000000006
	Bridge, 3-pole, insulated, BRI/3-5.0/5.08-LIGHT GREY	Order Data: 50000000007
	Bridge, 2-pole, BR/2-5.0/5.08-L7.0	Order Data: 50000000008
	Coding Star CS1-5.0/5.08-RED	Order Data: 50000000021

Ratings

UseGroup	C ^{RU} US			VDE	
	B	C	D	III	
Rated Voltage	300 V	-	300 V	250 V	
Rated Current	12 A	-	10 A	9 A	
Overvoltage Category				III	
Rated Wire Size			min		max
- solid	AWG 28-12	-	AWG 28-12	0.2 mm ² (2 A)	2.5 mm ² (9 A)
- stranded	AWG 28-12	-	AWG 28-12	0.2 mm ² (2 A)	2.5 mm ² (9 A)
Torque	0.50 Nm	-	0.50 Nm	0.50 Nm	
Screw Size	M3	-	M3	M3	
Test Voltage	1.60 kV	-	1.60 kV	2.0 kV	
Pollution Degree				3	