

AKZ1710/..F-3.81-GREEN



Technical Data

Wire sizes		Insulating Material	
Solid min	0.14 mm ²	Material	PA 6.6
Solid max	1.5 mm ²	Flammability Class	UL 94 V-0
Stranded (flexible) min	0.14mm ²	Temperatures	
Stranded (flexible) max	1.5 mm ²	Operating Temperature (without mech. load)	-40 °C - 105 °C
Stranded with Ferrule min	0.25 mm ²	Store Temperature	-40 °C - 105 °C
Stranded with Ferrule max	1.0 mm ²	Wave Soldering Process	
Dimensions		Soldering Temperature, recommended	-
Stripped Length	7.0 mm	Peak Soldering Time, recommended	-
Materials		Reflow Process	
Clamp	Brass	Soldering Temperature, recommended	-
Screw	Bronze	Peak Soldering Time, recommended	-
Screw, Flange	Steel		
Contact Spring	Bronze		

Colours

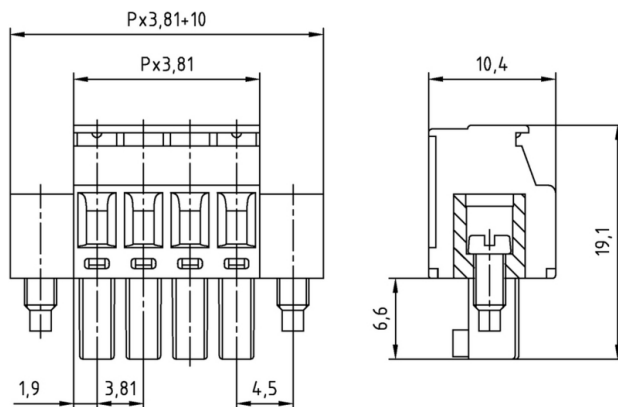
	GREEN, RAL 6018
	LIGHT GREY, RAL 7035
	LIGHT GREEN, similar RAL 6018

Colours according to RAL, there may be variations on colour due to production conditions. Special colours on request.

Counterparts (Spacing 3.81 mm)

Pin Strip	
STLZ1550	STLZ1570

In combination of connectors with different admission data, the lower value is valid.



Order Data (Spacing 3.81 mm)

Poles	Width (mm)	Article Designation	Article Number	PU
2	17.62	AKZ1710/2F-3.81-GREEN	51710022021 F	200
3	21.43	AKZ1710/3F-3.81-GREEN	51710032021 F	200
4	25.24	AKZ1710/4F-3.81-GREEN	51710042021 F	200
5	29.05	AKZ1710/5F-3.81-GREEN	51710052021 E	100
6	32.86	AKZ1710/6F-3.81-GREEN	51710062021 E	100
7	36.67	AKZ1710/7F-3.81-GREEN	51710072021 D	50
8	40.48	AKZ1710/8F-3.81-GREEN	51710082021 D	50
9	44.29	AKZ1710/9F-3.81-GREEN	51710092021 D	50
10	48.10	AKZ1710/10F-3.81-GREEN	51710102021 D	50
11	51.91	AKZ1710/11F-3.81-GREEN	51710112021 D	50
12	55.72	AKZ1710/12F-3.81-GREEN	51710122021 D	50
13	59.53	AKZ1710/13F-3.81-GREEN	51710132021 D	50
14	63.34	AKZ1710/14F-3.81-GREEN	51710142021 D	50
15	67.15	AKZ1710/15F-3.81-GREEN	51710152021 D	50
16	70.96	AKZ1710/16F-3.81-GREEN	51710162021 D	50
17	74.77	AKZ1710/17F-3.81-GREEN	51710172021 D	50
18	78.58	AKZ1710/18F-3.81-GREEN	51710182021 D	50
19	82.39	AKZ1710/19F-3.81-GREEN	51710192021 D	50
20	86.20	AKZ1710/20F-3.81-GREEN	51710202021 D	50

Accessoires

Figure	Designation	Article Number
	Series AK(Z)1550 with pull relief	Order Data: on request
	Bridge, 2-pole, BR/2-3.5/3.81-L7.5	Order Data: 50000000015
	Bridge, 3-pole, BR/3-3.5/3.81-L7.5	Order Data: 50000000016
	Bridge, 2-pole, insulated, BR/2-7.0/7.62-L7.5-LIGHT GREY	Order Data: 50000000018
	Bridge, 2-pole, angled, BR/2-3.5/3.81-H-L7.5	Order Data: 50000000029

Ratings

UseGroup	C ^{RU} US			VDE		
	B	C	D			
Rated Voltage	300 V	-	300 V	160 V		
Rated Current	8 A	-	8 A	8 A		
Overvoltage Category				III		
Rated Wire Size					min	max
	- solid	AWG 28-16	-	AWG 28-16	0.5 mm ² (6 A)	1.5 mm ² (8 A)
	- stranded	AWG 28-16	-	AWG 28-16	0.5 mm ² (6 A)	1.5 mm ² (8 A)
Torque	0.25 Nm	-	0.25 Nm	0.25 Nm		
Screw Size	M2	-	M2	M2		
Test Voltage	1.60 kV	-	1.60 kV	2.5 kV		
Pollution Degree					3	