

## AKZ1700/..F-3.81-GREEN



## Technical Data

Wire sizes		Insulating Material	
Solid min	0.14 mm <sup>2</sup>	Material	PA 6.6
Solid max	1.5 mm <sup>2</sup>	Flammability Class	UL 94 V-0
Stranded (flexible) min	0.14mm <sup>2</sup>	<b>Temperatures</b>	
Stranded (flexible) max	1.5 mm <sup>2</sup>	Operating Temperature (without mech. load)	-40 °C - 105 °C
Stranded with Ferrule min	0.25 mm <sup>2</sup>	Store Temperature	-40 °C - 105 °C
Stranded with Ferrule max	1.0 mm <sup>2</sup>	<b>Wave Soldering Process</b>	
<b>Dimensions</b>		Soldering Temperature, recommended	-
Stripped Length	7.0 mm	Peak Soldering Time, recommended	-
<b>Materials</b>		<b>Reflow Process</b>	
Clamp	Brass	Soldering Temperature, recommended	-
Screw	Bronze	Peak Soldering Time, recommended	-
Screw, Flange	Steel		
Contact Spring	Bronze		

## Colours

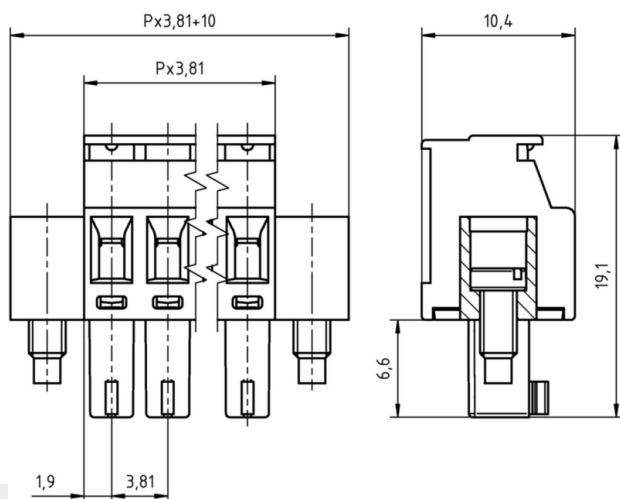
	GREEN, RAL 6018
	LIGHT GREY, RAL 7035
	LIGHT GREEN, similar RAL 6018

Colours according to RAL, there may be variations on colour due to production conditions. Special colours on request.

## Counterparts (Spacing 3.81 mm)

Pin Strip	
STLZ1550	STLZ1570

In combination of connectors with different admission data, the lower value is valid.



## Order Data (Spacing 3.81 mm)

Poles	Width (mm)	Article Designation	Article Number	PU
2	17.62	AKZ1700/2F-3.81-GREEN	51700022021 F	200
3	21.43	AKZ1700/3F-3.81-GREEN	51700032021 F	200
4	25.24	AKZ1700/4F-3.81-GREEN	51700042021 F	200
5	29.05	AKZ1700/5F-3.81-GREEN	51700052021 E	100
6	32.86	AKZ1700/6F-3.81-GREEN	51700062021 E	100
7	36.67	AKZ1700/7F-3.81-GREEN	51700072021 D	50
8	40.48	AKZ1700/8F-3.81-GREEN	51700082021 D	50
9	44.29	AKZ1700/9F-3.81-GREEN	51700092021 D	50
10	48.10	AKZ1700/10F-3.81-GREEN	51700102021 D	50
11	51.91	AKZ1700/11F-3.81-GREEN	51700112021 D	50
12	55.72	AKZ1700/12F-3.81-GREEN	51700122021 D	50
13	59.53	AKZ1700/13F-3.81-GREEN	51700132021 D	50
14	63.34	AKZ1700/14F-3.81-GREEN	51700142021 D	50
15	67.15	AKZ1700/15F-3.81-GREEN	51700152021 D	50
16	70.96	AKZ1700/16F-3.81-GREEN	51700162021 D	50
17	74.77	AKZ1700/17F-3.81-GREEN	51700172021 D	50
18	78.58	AKZ1700/18F-3.81-GREEN	51700182021 D	50
19	82.39	AKZ1700/19F-3.81-GREEN	51700192021 D	50
20	86.20	AKZ1700/20F-3.81-GREEN	51700202021 D	50

## Accessoires

Figure	Designation	Article Number
	Series AK(Z)1550 with pull relief	Order Data: on request
	Bridge, 2-pole, BR/2-3.5/3.81-L7.5	Order Data: 50000000015
	Bridge, 3-pole, BR/3-3.5/3.81-L7.5	Order Data: 50000000016
	Bridge, 2-pole, insulated, BR/2-7.0/7.62-L7.5-LIGHT GREY	Order Data: 50000000018
	Bridge, 2-pole, angled, BR/2-3.5/3.81-H-L7.5	Order Data: 50000000029

## Ratings

UseGroup	cRU <sup>®</sup> US			VDE	
	B	C	D		
Rated Voltage	300 V	-	300 V		160 V
Rated Current	8 A	-	8 A		8 A
Overvoltage Category					III
Rated Wire Size				min	max
- solid	AWG 28-16	-	AWG 28-16	0.5 mm <sup>2</sup> (6 A)	1.5 mm <sup>2</sup> (8 A)
- stranded	AWG 28-16	-	AWG 28-16	0.5 mm <sup>2</sup> (6 A)	1.5 mm <sup>2</sup> (8 A)
Torque	0.25 Nm	-	0.25 Nm		0.25 Nm
Screw Size	M2	-	M2		M2
Test Voltage	1.60 kV	-	1.60 kV		2.5 kV
Pollution Degree					3