

## AKZ1550/..-7.62-GREEN



A Phoenix Mecano Brand

## Technical Data

Wire sizes		Insulating Material	
Solid min	0.14 mm <sup>2</sup>	Material	PA 6.6
Solid max	1.5 mm <sup>2</sup>	Flammability Class	UL 94 V-0
Stranded (flexible) min	0.14mm <sup>2</sup>	<b>Temperatures</b>	
Stranded (flexible) max	1.5 mm <sup>2</sup>	Operating Temperature (without mech. load)	-40 °C - 105 °C
Stranded with Ferrule min	0.25 mm <sup>2</sup>	Store Temperature	-40 °C - 105 °C
Stranded with Ferrule max	1.0 mm <sup>2</sup>	<b>Wave Soldering Process</b>	
<b>Dimensions</b>		Soldering Temperature, recommended	-
Stripped Length	7.0 mm	Peak Soldering Time, recommended	-
<b>Materials</b>		<b>Reflow Process</b>	
Clamp	Brass	Soldering Temperature, recommended	-
Screw	Bronze	Peak Soldering Time, recommended	-
Contact Spring	Bronze		

## Colours

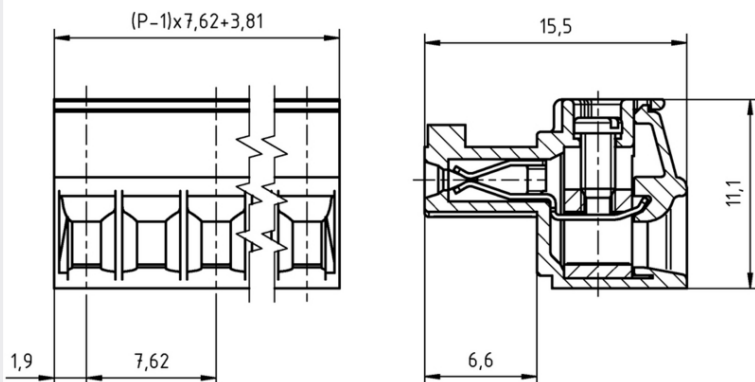
	BLACK, RAL 9011
	GREEN, RAL 6018
	LIGHT GREEN, similar RAL 6018

Colours according to RAL, there may be variations on colour due to production conditions. Special colours on request.

## Counterparts (Spacing 7.62 mm)

Pin Strip		
STLZ1550	STLZ1570	STLZ1590

In combination of connectors with different admission data, the lower value is valid.



## Order Data (Spacing 7.62 mm)

Poles	Width (mm)	Article Designation	Article Number	PU
2	11.43	AKZ1550/2-7.62-GREEN	51550020065 E	100
3	19.05	AKZ1550/3-7.62-GREEN	51550030065 E	100
4	26.67	AKZ1550/4-7.62-GREEN	51550040065 E	100
5	34.29	AKZ1550/5-7.62-GREEN	51550050065 E	100
6	41.91	AKZ1550/6-7.62-GREEN	51550060065 D	50
7	49.53	AKZ1550/7-7.62-GREEN	51550070065 D	50
8	57.15	AKZ1550/8-7.62-GREEN	51550080065 D	50
9	64.77	AKZ1550/9-7.62-GREEN	51550090065 D	50
10	72.39	AKZ1550/10-7.62-GREEN	51550100065 D	50

## Accessoires

Figure	Designation	Article Number
	Bridge, 2-pole, insulated, BRI/2-7.0/7.62-L7.5-LIGHT GREY	Order Data: 50000000018
	Series AK(Z)1550 with pull relief	Order Data: on request

## Ratings

UseGroup	cRU <sup>®</sup> US			VDE	
	B	C	D		
Rated Voltage	300 V	150 V	300 V	500 V	
Rated Current	8 A	8 A	-	9 A	
Overvoltage Category				III	
Rated Wire Size				min	max
- solid	AWG 28-16	AWG 28-16	AWG 28-16	0.5 mm <sup>2</sup> (6 A)	1.5 mm <sup>2</sup> (9 A)
- stranded	AWG 28-16	AWG 28-16	AWG 28-16	0.5 mm <sup>2</sup> (6 A)	1.5 mm <sup>2</sup> (9 A)
Torque	0.25 Nm	0.25 Nm	0.25 Nm	0.25 Nm	
Screw Size	M2	M2	M2	M2	
Test Voltage	1.60 kV	1.30 kV	1.60 kV	6.0 kV	
Pollution Degree				3	