

## AK1710/..F-7.0-GREEN



## Technical Data

Wire sizes		Insulating Material	
Solid min	0.14 mm <sup>2</sup>	Material	PA 6.6
Solid max	1.5 mm <sup>2</sup>	Flammability Class	UL 94 V-0
Stranded (flexible) min	0.14mm <sup>2</sup>	<b>Temperatures</b>	
Stranded (flexible) max	1.5 mm <sup>2</sup>	Operating Temperature (without mech. load)	-40 °C - 105 °C
Stranded with Ferrule min	0.25 mm <sup>2</sup>	Store Temperature	-40 °C - 105 °C
Stranded with Ferrule max	1.0 mm <sup>2</sup>	<b>Wave Soldering Process</b>	
<b>Dimensions</b>		Soldering Temperature, recommended	-
Stripped Length	7.0 mm	Peak Soldering Time, recommended	-
<b>Materials</b>		<b>Reflow Process</b>	
Clamp	Brass	Soldering Temperature, recommended	-
Screw	Bronze	Peak Soldering Time, recommended	-
Screw, Flange	Steel		
Contact Spring	Bronze		

## Colours

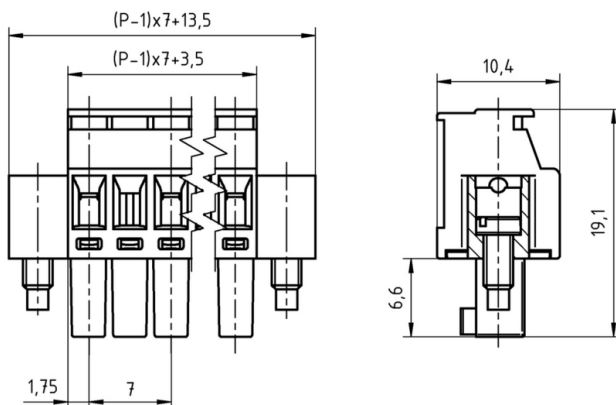
	GREEN, RAL 6018
	LIGHT GREY, RAL 7035
	LIGHT GREEN, similar RAL 6018

Colours according to RAL, there may be variations on colour due to production conditions. Special colours on request.

## Counterparts (Spacing 7.0 mm)

Pin Strip  
STL1550

In combination of connectors with different admission data, the lower value is valid.



## Order Data (Spacing 7.0 mm)

Poles	Width (mm)	Article Designation	Article Number	PU
2	20.50	AK1710/2F-7.0-GREEN	51710022041 D	50
3	27.50	AK1710/3F-7.0-GREEN	51710032041 D	50
4	34.50	AK1710/4F-7.0-GREEN	51710042041 D	50
5	41.50	AK1710/5F-7.0-GREEN	51710052041 D	50
6	48.50	AK1710/6F-7.0-GREEN	51710062041 D	50
7	55.50	AK1710/7F-7.0-GREEN	51710072041 D	50
8	62.50	AK1710/8F-7.0-GREEN	51710082041 D	50
9	69.50	AK1710/9F-7.0-GREEN	51710092041 D	50
10	76.50	AK1710/10F-7.0-GREEN	51710102041 D	50

## Accessoires

Figure	Designation	Article Number
	Bridge, 2-pole, insulated, BRI/2-7.0/7.62-L7.5-LIGHT GREY	Order Data: 50000000018
	Series AK(Z)1710 with pull relief	Order Data: on request

## Ratings

UseGroup	cRU <sup>®</sup> US			VDE	
	B	C	D		
Rated Voltage	300 V	-	300 V	300 V	
Rated Current	8 A	-	8 A	8 A	
Overvoltage Category				III	
Rated Wire Size				min	max
- solid	AWG 28-16	-	AWG 28-16	0.5 mm <sup>2</sup> (6 A)	1.5 mm <sup>2</sup> (8 A)
- stranded	AWG 28-16	-	AWG 28-16	0.5 mm <sup>2</sup> (6 A)	1.5 mm <sup>2</sup> (8 A)
Torque	0.25 Nm	-	0.25 Nm	0.25 Nm	
Screw Size	M2	-	M2	M2	
Test Voltage	1.60 kV	-	1.60 kV	6.0 kV	
Pollution Degree				3	