

## AK1710/..F-3.5-GREEN



## Technical Data

| Wire sizes                |                      | Insulating Material                        |                 |
|---------------------------|----------------------|--|-----------------|
| Solid min                 | 0.14 mm <sup>2</sup> | Material                                   | PA 6.6          |
| Solid max                 | 1.5 mm <sup>2</sup>  | Flammability Class                         | UL 94 V-0       |
| Stranded (flexible) min   | 0.14mm <sup>2</sup>  | <b>Temperatures</b>                        |                 |
| Stranded (flexible) max   | 1.5 mm <sup>2</sup>  | Operating Temperature (without mech. load) | -40 °C - 105 °C |
| Stranded with Ferrule min | 0.25 mm <sup>2</sup> | Store Temperature                          | -40 °C - 105 °C |
| Stranded with Ferrule max | 1.0 mm <sup>2</sup>  | <b>Wave Soldering Process</b>              |                 |
| <b>Dimensions</b>         |                      | Soldering Temperature, recommended         | -               |
| Stripped Length           | 7.0 mm               | Peak Soldering Time, recommended           | -               |
| <b>Materials</b>          |                      | <b>Reflow Process</b>                      |                 |
| Clamp                     | Brass                | Soldering Temperature, recommended         | -               |
| Screw                     | Bronze               | Peak Soldering Time, recommended           | -               |
| Screw, Flange             | Steel                |  |                 |
| Contact Spring            | Bronze               |  |                 |

## Colours

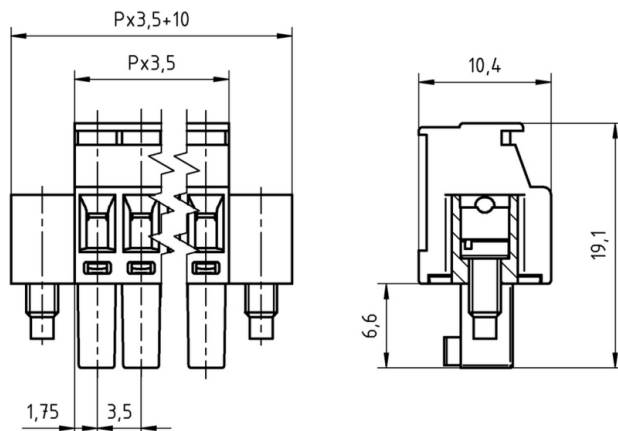
|  |                               |
|--|-------------------------------|
|  | GREEN, RAL 6018               |
|  | LIGHT GREY, RAL 7035          |
|  | LIGHT GREEN, similar RAL 6018 |

Colours according to RAL, there may be variations on colour due to production conditions. Special colours on request.

## Counterparts (Spacing 3.5 mm)

Pin Strip  
STL1550

In combination of connectors with different admission data, the lower value is valid.



## Order Data (Spacing 3.5 mm)

| Poles | Width (mm) | Article Designation  | Article Number | PU  |
|-------|------------|----------------------|----------------|-----|
| 2     | 17.00      | AK1710/2F-3.5-GREEN  | 51710022001 F  | 200 |
| 3     | 20.50      | AK1710/3F-3.5-GREEN  | 51710032001 F  | 200 |
| 4     | 24.00      | AK1710/4F-3.5-GREEN  | 51710042001 F  | 200 |
| 5     | 27.50      | AK1710/5F-3.5-GREEN  | 51710052001 E  | 100 |
| 6     | 31.00      | AK1710/6F-3.5-GREEN  | 51710062001 E  | 100 |
| 7     | 34.50      | AK1710/7F-3.5-GREEN  | 51710072001 D  | 50  |
| 8     | 38.00      | AK1710/8F-3.5-GREEN  | 51710082001 D  | 50  |
| 9     | 41.50      | AK1710/9F-3.5-GREEN  | 51710092001 D  | 50  |
| 10    | 45.00      | AK1710/10F-3.5-GREEN | 51710102001 D  | 50  |
| 11    | 48.50      | AK1710/11F-3.5-GREEN | 51710112001 D  | 50  |
| 12    | 52.00      | AK1710/12F-3.5-GREEN | 51710122001 D  | 50  |
| 13    | 55.50      | AK1710/13F-3.5-GREEN | 51710132001 D  | 50  |
| 14    | 59.00      | AK1710/14F-3.5-GREEN | 51710142001 D  | 50  |
| 15    | 62.50      | AK1710/15F-3.5-GREEN | 51710152001 D  | 50  |
| 16    | 66.00      | AK1710/16F-3.5-GREEN | 51710162001 D  | 50  |
| 17    | 69.50      | AK1710/17F-3.5-GREEN | 51710172001 D  | 50  |
| 18    | 73.00      | AK1710/18F-3.5-GREEN | 51710182001 D  | 50  |
| 19    | 76.50      | AK1710/19F-3.5-GREEN | 51710192001 D  | 50  |
| 20    | 80.00      | AK1710/20F-3.5-GREEN | 51710202001 D  | 50  |

## Accessoires

| Figure | Designation  | Article Number          |
|--------|--|-------------------------|
|        | Series AK(Z)1710 with pull relief                        | Order Data: on request  |
|        | Bridge, 2-pole, BR/2-3.5/3.81-L7.5                       | Order Data: 50000000015 |
|        | Bridge, 3-pole, BR/3-3.5/3.81-L7.5                       | Order Data: 50000000016 |
|        | Bridge, 2-pole, insulated, BR/2-7.0/7.62-L7.5-LIGHT GREY | Order Data: 50000000018 |
|        | Bridge, 2-pole, angled, BR/2-3.5/3.81-H-L7.5             | Order Data: 50000000029 |

## Ratings

| UseGroup             | C <sup>RU</sup> US |   |           | VDE                       |                           |
|----------------------|--------------------|---|-----------|---------------------------|---------------------------|
|                      | B                  | C | D         |                           |                           |
| Rated Voltage        | 300 V              | - | 300 V     | 160 V                     |                           |
| Rated Current        | 8 A                | - | 8 A       | 8 A                       |                           |
| Overvoltage Category |                    |   |           | III                       |                           |
| Rated Wire Size      |                    |   | min       |                           | max                       |
| - solid              | AWG 28-16          | - | AWG 28-16 | 0.5 mm <sup>2</sup> (6 A) | 1.5 mm <sup>2</sup> (8 A) |
| - stranded           | AWG 28-16          | - | AWG 28-16 | 0.5 mm <sup>2</sup> (6 A) | 1.5 mm <sup>2</sup> (8 A) |
| Torque               | 0.25 Nm            | - | 0.25 Nm   | 0.25 Nm                   |                           |
| Screw Size           | M2                 | - | M2        | M2                        |                           |
| Test Voltage         | 1.60 kV            | - | 1.60 kV   | 2.5 kV                    |                           |
| Pollution Degree     |                    |   |           | 3                         |                           |