

# Series 1002

- Test probe for 40 mil centers
- Short travel
- Low contact force
- Receptacle pre-wired

## Mechanical Data

Center	1.02 mm/40 mil
Temperature Range	-30 °C - +120 °C
Full Travel	2.00 mm
Working Travel	1.35 mm
Pre-loaded Spring Force	0.25 N
Spring Force at Working Travel	0.40 N

## Electrical Data

Max. Current Rating	1.0 A
Typical Continuity Resistance	<= 100 mOhm

## Materials

Barrel	Bronze, gold-plated
Spring	Spring Steel, gold-plated
Plunger	Steel, rhodium plated
Receptacle	Bronze, gold-plated
Wire AWG 30 (Blue)	Copper, silver-plated, insulated

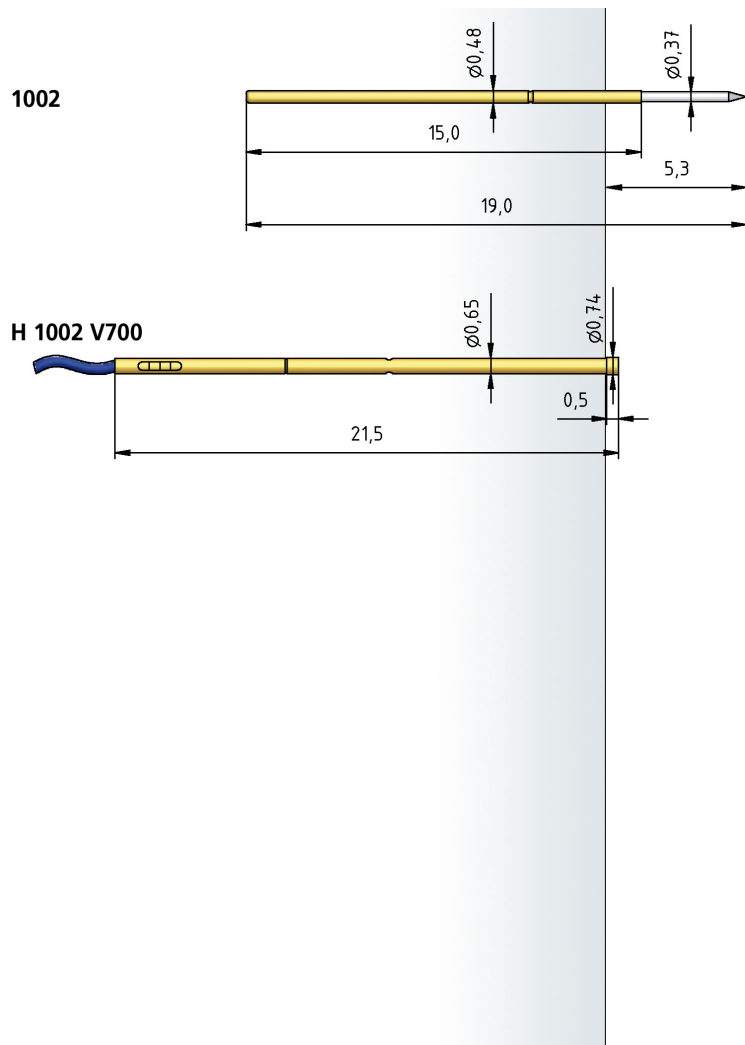
## Recommended Diameter of Drill

HP 2361.1 (Trolitax)	0.63 mm
----------------------	---------

## Tip style - Diameter - Plating



B
0.37 Rh



## How to Order

<u>1002</u>	-	<u>B</u>	-	<u>0.4 N</u>	-	<u>Rh</u>	-	<u>0.37</u>
1	2	3	4	5				

1. Series 2. Tip Style 3. Spring Force  
4. Tip Plating 5. Tip Diameter