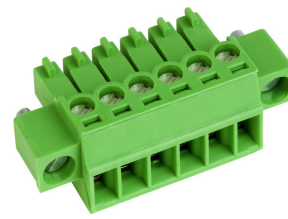


AK1550/..F-3.5-GREEN



Technical Data

Wire sizes		Insulating Material	
Solid min	0.14 mm ²	Material	PA 6.6
Solid max	1.5 mm ²	Flammability Class	UL 94 V-0
Stranded (flexible) min	0.14mm ²	Temperatures	
Stranded (flexible) max	1.5 mm ²	Operating Temperature (without mech. load)	-40 °C - 105 °C
Stranded with Ferrule min	0.25 mm ²	Store Temperature	-40 °C - 105 °C
Stranded with Ferrule max	1.0 mm ²	Wave Soldering Process	
Dimensions		Soldering Temperature, recommended	-
Stripped Length	7.0 mm	Peak Soldering Time, recommended	-
Materials		Reflow Process	
Clamp	Brass	Soldering Temperature, recommended	-
Screw	Bronze	Peak Soldering Time, recommended	-
Screw, Flange	Steel		
Contact Spring	Bronze		

Colours

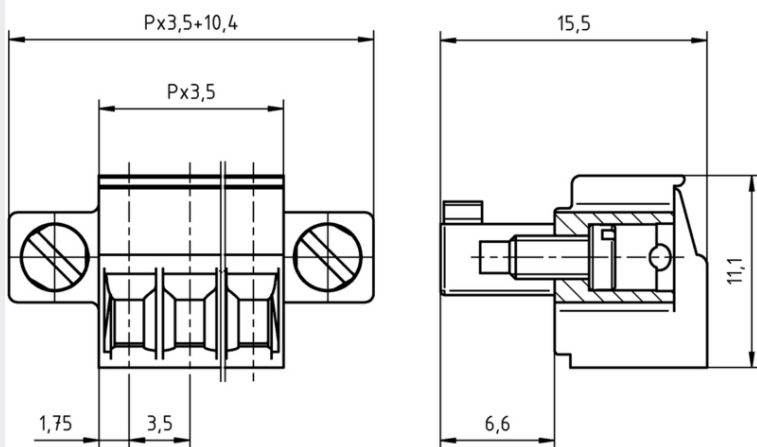
	GREEN, RAL 6018
	BLACK, RAL 9011
	LIGHT GREEN, similar RAL 6018

Colours according to RAL, there may be variations on colour due to production conditions. Special colours on request.

Counterparts (Spacing 3.5 mm)

Pin Strip
STL1550

In combination of connectors with different admission data, the lower value is valid.



Order Data (Spacing 3.5 mm)

Poles	Width (mm)	Article Designation	Article Number	PU
2	17.40	AK1550/2F-3.5-GREEN	51550022001 F	200
3	20.90	AK1550/3F-3.5-GREEN	51550032001 F	200
4	24.40	AK1550/4F-3.5-GREEN	51550042001 F	200
5	27.90	AK1550/5F-3.5-GREEN	51550052001 F	200
6	31.40	AK1550/6F-3.5-GREEN	51550062001 E	100
7	34.90	AK1550/7F-3.5-GREEN	51550072001 D	50
8	38.40	AK1550/8F-3.5-GREEN	51550082001 D	50
9	41.90	AK1550/9F-3.5-GREEN	51550092001 D	50
10	45.40	AK1550/10F-3.5-GREEN	51550102001 D	50
11	48.90	AK1550/11F-3.5-GREEN	51550112001 D	50
12	52.40	AK1550/12F-3.5-GREEN	51550122001 D	50
13	55.90	AK1550/13F-3.5-GREEN	51550132001 D	50
14	59.40	AK1550/14F-3.5-GREEN	51550142001 D	50
15	62.90	AK1550/15F-3.5-GREEN	51550152001 D	50
16	66.40	AK1550/16F-3.5-GREEN	51550162001 D	50
17	69.90	AK1550/17F-3.5-GREEN	51550172001 D	50
18	73.40	AK1550/18F-3.5-GREEN	51550182001 D	50
19	76.90	AK1550/19F-3.5-GREEN	51550192001 D	50
20	80.40	AK1550/20F-3.5-GREEN	51550202001 D	50

Accessoires

Figure	Designation	Article Number
	Series AK(Z)1550 with pull relief	Order Data: on request
	Bridge, 2-pole, BR/2-3.5/3.81-L7.5	Order Data: 50000000015
	Bridge, 3-pole, BR/3-3.5/3.81-L7.5	Order Data: 50000000016
	Bridge, 2-pole, insulated, BR/2-7.0/7.62-L7.5-LIGHT GREY	Order Data: 50000000018
	Bridge, 2-pole, angled, BR/2-3.5/3.81-H-L7.5	Order Data: 50000000029

Ratings

UseGroup	C ^{RU} US			VDE	
	B	C	D		
Rated Voltage	300 V	-	300 V	160 V	
Rated Current	8 A	-	8 A	8 A	
Overvoltage Category				III	
Rated Wire Size			min		max
	- solid	AWG 28-16	-	AWG 28-16	0.5 mm ² (6 A) / 1.5 mm ² (8 A)
	- stranded	AWG 28-16	-	AWG 28-16	0.5 mm ² (6 A) / 1.5 mm ² (8 A)
Torque	0.25 Nm	-	0.25 Nm	0.25 Nm	
Screw Size	M2	-	M2	M2	
Test Voltage	1.60 kV	-	1.60 kV	2.5 kV	
Pollution Degree				3	