



### Technical Data

Wire sizes		Insulating Material	
Solid min	0.2 mm <sup>2</sup>	Material	PA 6.6
Solid max	2.5 mm <sup>2</sup>	Flammability Class	UL 94 V-0
Stranded (flexible) min	0.2mm <sup>2</sup>	<b>Temperatures</b>	
Stranded (flexible) max	1.5 mm <sup>2</sup>	Operating Temperature (without mech. load)	-40 °C - 105 °C
Stranded with Ferrule min	0.2 mm <sup>2</sup>	Store Temperature	-40 °C - 105 °C
Stranded with Ferrule max	1.5 mm <sup>2</sup>	<b>Wave Soldering Process</b>	
<b>Dimensions</b>		Soldering Temperature, recommended	-
Stripped Length	6.0 mm	Peak Soldering Time, recommended	-
<b>Materials</b>		<b>Reflow Process</b>	
Clamp	Brass	Soldering Temperature, recommended	-
Screw	Steel	Peak Soldering Time, recommended	-
Contact Spring	Copper Alloy		

### Colours

GREY, RAL 7016

Colours according to RAL, there may be variations on colour due to production conditions. Special colours on request.

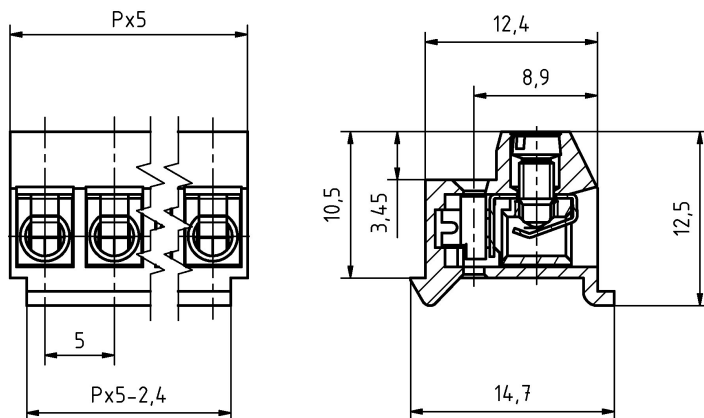
### Counterparts (Spacing 5.0 mm)

Pin Strip

STL136

STL136-HT

In combination of connectors with different admission data, the lower value is valid.



### Order Data (Spacing 5.0 mm)

Poles	Width (mm)	Article Designation	Article Number	PU
2	10.00	AK136/2DSLGB-5.0-BLACK	50136020001 G	250
3	15.00	AK136/3DSLGB-5.0-BLACK	50136030001 G	250
4	20.00	AK136/4DSLGB-5.0-BLACK	50136040001 G	250
5	25.00	AK136/5DSLGB-5.0-BLACK	50136050001 G	250
6	30.00	AK136/6DSLGB-5.0-BLACK	50136060001 G	250
7	35.00	AK136/7DSLGB-5.0-BLACK	50136070001 G	250
8	40.00	AK136/8DSLGB-5.0-BLACK	50136080001 E	100
9	45.00	AK136/9DSLGB-5.0-BLACK	50136090001 E	100
10	50.00	AK136/10DSLGB-5.0-BLACK	50136100001 E	100
11	55.00	AK136/11DSLGB-5.0-BLACK	50136110001 E	100
12	60.00	AK136/12DSLGB-5.0-BLACK	50136120001 E	100

### Ratings

UseGroup	cRU <sup>*</sup> US			VDE <sup>*</sup>	
	B	C	D		
Rated Voltage	300 V	150 V	300 V	250 V	
Rated Current	8 A	-	8 A	7 A	
Overvoltage Category				III	
Rated Wire Size				min	max
- solid	AWG 26-14	AWG 26-14	AWG 26-14	0.2 mm <sup>2</sup>	2.5 mm <sup>2</sup>
- stranded	AWG 24-16	AWG 26-14	AWG 26-14	0.2 mm <sup>2</sup>	2.5 mm <sup>2</sup>
Torque	0.40 Nm	0.40 Nm	0.40 Nm	0.40 Nm	
Screw Size	M2.6	M2.6	M2.6	M2.6	
Test Voltage	1.60 kV	1.30 kV	1.60 kV	2.5 kV	
Pollution Degree				3	

\* Approval Pending