

AK1350/..DS-3.5-GREY





A Phoenix Mecano Brand

Technical Data

Wire sizes		Insulating Material	
Solid min	0.08 mm ²	Material	PA 6.6
Solid max	1.5 mm ²	Flammability Class	UL 94 V-0
Stranded (flexible) min	0.08mm ²	Temperatures	
Stranded (flexible) max	1.5 mm ²	Operating Temperature (without mech. load)	-40 °C - 105 °C
Stranded with Ferrule min	0.14 mm ²	Store Temperature	-40 °C - 105 °C
Stranded with Ferrule max	0.5 mm ²	Wave Soldering Process	
Dimensions		Soldering Temperature, recommended	-
Stripped Length	5.0 mm	Peak Soldering Time, recommended	-
Materials		Reflow Process	
Clamp	Brass	Soldering Temperature, recommended	-
Wire Guard	Stainless Steel	Peak Soldering Time, recommended	-
Screw	Bronze		
Contact Spring	Bronze		

Colours

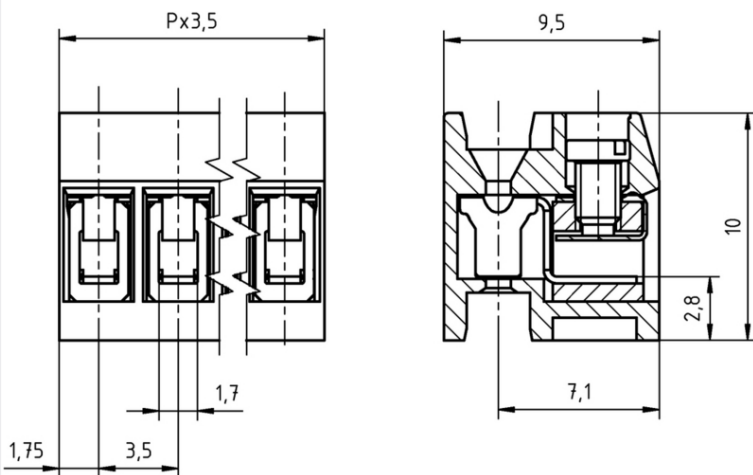
-  GREY, RAL 7016
-  LIGHT GREEN, similar RAL 6018

Colours according to RAL, there may be variations on colour due to production conditions. Special colours on request.

Counterparts (Spacing 3.5 mm)

Pin Strip	
STL1350	STL1350-HT

In combination of connectors with different admission data, the lower value is valid.



Order Data (Spacing 3.5 mm)

Poles	Width (mm)	Article Designation	Article Number	PU
2	7.00	AK1350/2DS-3.5-GREY	51350020001 G	250
3	10.50	AK1350/3DS-3.5-GREY	51350030001 G	250
4	14.00	AK1350/4DS-3.5-GREY	51350040001 G	250
5	17.50	AK1350/5DS-3.5-GREY	51350050001 G	250
6	21.00	AK1350/6DS-3.5-GREY	51350060001 G	250
7	24.50	AK1350/7DS-3.5-GREY	51350070001 G	250
8	28.00	AK1350/8DS-3.5-GREY	51350080001 E	100
9	31.50	AK1350/9DS-3.5-GREY	51350090001 E	100
10	35.00	AK1350/10DS-3.5-GREY	51350100001 E	100
11	38.50	AK1350/11DS-3.5-GREY	51350110001 E	100
12	42.00	AK1350/12DS-3.5-GREY	51350120001 E	100

Accessoires

Figure	Designation	Article Number
	Soldering Cover CC-AK1350-GREY	Order Data: 51350000000
	Bridge, 2-pole, angled, BR/2-3.5/3.81-H-L4.7	Order Data: 50000000019
	Bridge, 2-pole, BR/2-3.5/3.81-L4.7	Order Data: 50000000013
	Bridge, 3-pole, BR/3-3.5/3.81-L4.7	Order Data: 50000000014
	Bridge, 2-pole, insulated, BR/2-7.0/7.62-L7.5-LIGHT GREY	Order Data: 50000000018
	Series AK1350 with pull relief	Order Data: on request

Ratings

UseGroup	cRU [®] US			VDE	
	B	C	D		
Rated Voltage	150 V	-	-	125 V	
Rated Current	10 A	-	-	10 A	
Overvoltage Category				III	
Rated Wire Size				min	max
- solid	AWG 28-16	-	-	0.2 mm ² (4 A)	1.5 mm ² (8 A)
- stranded	AWG 28-16	-	-	0.2 mm ² (4 A)	1.5 mm ² (8 A)
Torque	0.25 Nm	-	-	0.25 Nm	
Screw Size	M2	-	-	M2	
Test Voltage	1.30 kV	-	-	2.5 kV	
Pollution Degree				3	