

# AK133/..DSLГ-5.0-GREY



A Phoenix Mecano Brand

## Technical Data

Wire sizes		Insulating Material	
Solid min	0.14 mm <sup>2</sup>	Material	PA 6.6
Solid max	2.5 mm <sup>2</sup>	Flammability Class	UL 94 V-0
Stranded (flexible) min	0.14mm <sup>2</sup>	<b>Temperatures</b>	
Stranded (flexible) max	1.5 mm <sup>2</sup>	Operating Temperature (without mech. load)	-40 °C - 105 °C
Stranded with Ferrule min	0.14 mm <sup>2</sup>	Store Temperature	-40 °C - 105 °C
Stranded with Ferrule max	1.5 mm <sup>2</sup>	<b>Wave Soldering Process</b>	
<b>Dimensions</b>		Soldering Temperature, recommended	-
Stripped Length	6.0 mm	Peak Soldering Time, recommended	-
<b>Materials</b>		<b>Reflow Process</b>	
Clamp	Brass	Soldering Temperature, recommended	-
Screw	Steel	Peak Soldering Time, recommended	-
Contact Spring	Copper Alloy		

## Colours

GREY, RAL 7016

Colours according to RAL, there may be variations on colour due to production conditions. Special colours on request.

## Counterparts (Spacing 5.0 mm)

Pin Strip  
STL133

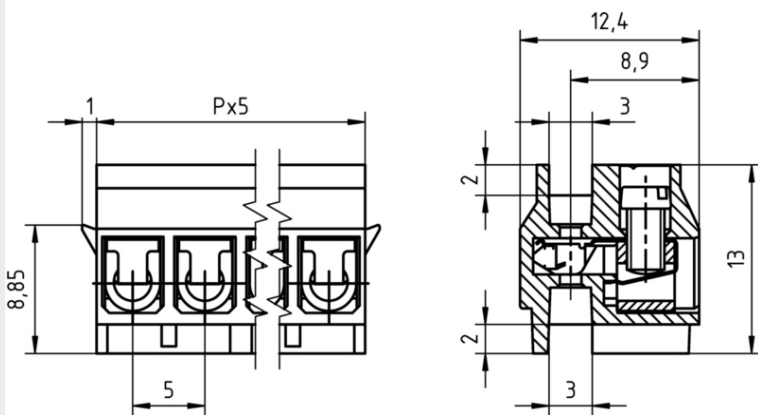
In combination of connectors with different admission data, the lower value is valid.

## Order Data (Spacing 5.0 mm)

Poles	Width (mm)	Article Designation	Article Number	PU
2	12.00	AK133/2DSLГ-5.0-GREY	50133020001 G	250
3	17.00	AK133/3DSLГ-5.0-GREY	50133030001 G	250
4	22.00	AK133/4DSLГ-5.0-GREY	50133040001 G	250
5	27.00	AK133/5DSLГ-5.0-GREY	50133050001 G	250
6	32.00	AK133/6DSLГ-5.0-GREY	50133060001 G	250
7	37.00	AK133/7DSLГ-5.0-GREY	50133070001 G	250
8	42.00	AK133/8DSLГ-5.0-GREY	50133080001 E	100
9	47.00	AK133/9DSLГ-5.0-GREY	50133090001 E	100
10	52.00	AK133/10DSLГ-5.0-GREY	50133100001 E	100
11	57.00	AK133/11DSLГ-5.0-GREY	50133110001 E	100
12	62.00	AK133/12DSLГ-5.0-GREY	50133120001 E	100

## Accessoires

Figure	Designation	Article Number
	Bridge, 2-pole, insulated, BRI/2-5.0/5.08-LIGHT GREY	Order Data: 50000000006
	Bridge, 3-pole, insulated, BRI/3-5.0/5.08-LIGHT GREY	Order Data: 50000000007
	Bridge, 2-pole, BR/2-5.0/5.08-L7.0	Order Data: 50000000008



## Ratings

UseGroup	C <sup>RU</sup> US			VDE	
	B	C	D		
Rated Voltage	300 V	-	300 V	250 V	
Rated Current	8 A	-	8 A	7 A	
Overvoltage Category				III	
Rated Wire Size				min	max
- solid	AWG 22-12	-	AWG 22-12	0.5 mm <sup>2</sup> (5 A)	2.5 mm <sup>2</sup> (7 A)
- stranded	AWG 22-14	-	AWG 22-14	0.5 mm <sup>2</sup> (5 A)	1.5 mm <sup>2</sup> (7 A)
Torque	0.45 Nm	-	0.45 Nm	0.40 Nm	
Screw Size	M2.6	-	M2.6	M2.6	
Test Voltage	1.60 kV	-	1.60 kV	4.0 kV	
Pollution Degree				3	