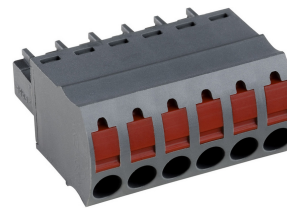


# AKZ4551/..KD-3.81-BASALTGREY



A Phoenix Mecano Brand

## Technical Data

Wire sizes		Insulating Material	
Solid min	0.14 mm <sup>2</sup>	Material	PA 6.6
Solid max	2.5 mm <sup>2</sup>	Flammability Class	UL 94 V-0
Stranded (flexible) min	0.14mm <sup>2</sup>	<b>Temperatures</b>	
Stranded (flexible) max	1.5 mm <sup>2</sup>	Operating Temperature (without mech. load)	-40 °C - 105 °C
Stranded with Ferrule min	0.25 mm <sup>2</sup>	Store Temperature	-40 °C - 105 °C
Stranded with Ferrule max	1.0 mm <sup>2</sup>	<b>Wave Soldering Process</b>	
<b>Dimensions</b>		Soldering Temperature, recommended	-
Stripped Length	11.0 mm	Peak Soldering Time, recommended	-
<b>Materials</b>		<b>Reflow Process</b>	
Contact Spring	Copper Alloy	Soldering Temperature, recommended	-
Clamp Spring	Stainless Steel	Peak Soldering Time, recommended	-

## Colours

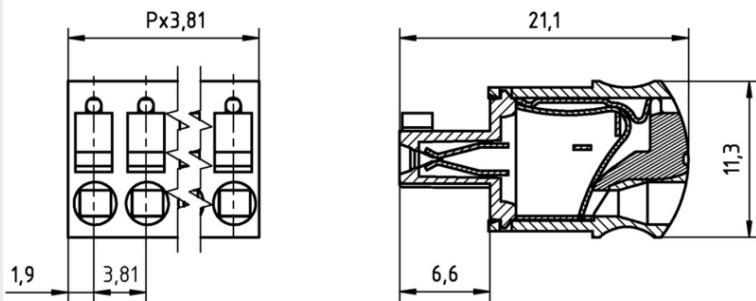
	BASALT GREY, RAL 7012
	GREEN, RAL 6018
	LIGHT GREEN, similar RAL 6018

Colours according to RAL, there may be variations on colour due to production conditions. Special colours on request.

## Counterparts (Spacing 3.81 mm)

Pin Strip		
STLZ1550	STLZ1570	STLZ1590

In combination of connectors with different admission data, the lower value is valid.



## Order Data (Spacing 3.81 mm)

Poles	Width (mm)	Article Designation	Article Number	PU
2	7.62	AKZ4551/2KD-3.81-BASALTGREY	54551020421 F	200
3	11.43	AKZ4551/3KD-3.81-BASALTGREY	54551030421 F	200
4	15.24	AKZ4551/4KD-3.81-BASALTGREY	54551040421 F	200
5	19.05	AKZ4551/5KD-3.81-BASALTGREY	54551050421 F	200
6	22.86	AKZ4551/6KD-3.81-BASALTGREY	54551060421 E	100
7	26.67	AKZ4551/7KD-3.81-BASALTGREY	54551070421 E	100
8	30.48	AKZ4551/8KD-3.81-BASALTGREY	54551080421 D	50
9	34.29	AKZ4551/9KD-3.81-BASALTGREY	54551090421 D	50
10	38.10	AKZ4551/10KD-3.81-BASALTGREY	54551100421 D	50
11	41.91	AKZ4551/11KD-3.81-BASALTGREY	54551110421 D	50
12	45.72	AKZ4551/12KD-3.81-BASALTGREY	54551120421 D	50
13	49.53	AKZ4551/13KD-3.81-BASALTGREY	54551130421 D	50
14	53.34	AKZ4551/14KD-3.81-BASALTGREY	54551140421 D	50
15	57.15	AKZ4551/15KD-3.81-BASALTGREY	54551150421 D	50
16	60.96	AKZ4551/16KD-3.81-BASALTGREY	54551160421 D	50
17	64.77	AKZ4551/17KD-3.81-BASALTGREY	54551170421 D	50
18	68.58	AKZ4551/18KD-3.81-BASALTGREY	54551180421 D	50
19	72.39	AKZ4551/19KD-3.81-BASALTGREY	54551190421 D	50
20	76.20	AKZ4551/20KD-3.81-BASALTGREY	54551200421 D	50

## Accessoires

Figure	Designation	Article Number
	Series AK(Z)4551 with pull relief	Order Data: on request

## Ratings

UseGroup	C <sub>RU</sub> US			VDE	
	B	C	D		
Rated Voltage	300 V	-	300 V	160 V	
Rated Current	10 A	-	10 A	10 A	
Overvoltage Category				III	
Rated Wire Size				min	max
- solid	AWG 26-16	-	AWG 26-16	0.14 mm <sup>2</sup> (3 A)	2.5 mm <sup>2</sup> (10 A)
- stranded	AWG 26-16	-	AWG 26-16	0.14 mm <sup>2</sup> (3 A)	1.5 mm <sup>2</sup> (10 A)
Test Voltage	1.60 kV	-	1.60 kV	2.5 kV	
Pollution Degree				3	