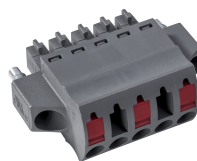


AKZ4551/..FKD-7.62-BASALTGREY






A Phoenix Mecano Brand

Technical Data

Wire sizes		Insulating Material	
Solid min	0.14 mm ²	Material	PA 6.6
Solid max	2.5 mm ²	Flammability Class	UL 94 V-0
Stranded (flexible) min	0.14mm ²	Temperatures	
Stranded (flexible) max	1.5 mm ²	Operating Temperature (without mech. load)	-40 °C - 105 °C
Stranded with Ferrule min	0.25 mm ²	Store Temperature	-40 °C - 105 °C
Stranded with Ferrule max	1.0 mm ²	Wave Soldering Process	
Dimensions		Soldering Temperature, recommended	-
Stripped Length	11.0 mm	Peak Soldering Time, recommended	-
Materials		Reflow Process	
Screw, Flange	Steel	Soldering Temperature, recommended	-
Contact Spring	Copper Alloy	Peak Soldering Time, recommended	-
Clamp Spring	Stainless Steel		

Colours

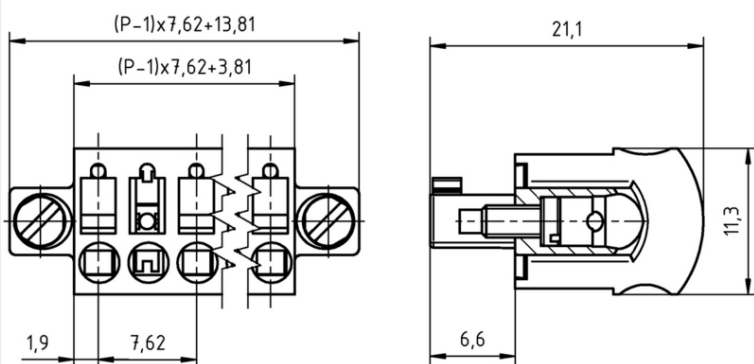
	BASALT GREY, RAL 7012
	GREEN, RAL 6018
	LIGHT GREEN, similar RAL 6018

Colours according to RAL, there may be variations on colour due to production conditions. Special colours on request.

Counterparts (Spacing 7.62 mm)

Pin Strip	
STLZ1550	STLZ1570


In combination of connectors with different admission data, the lower value is valid.



Order Data (Spacing 7.62 mm)

Poles	Width (mm)	Article Designation	Article Number	PU
2	21.43	AKZ4551/2FKD-7.62-BASALTGREY	54551022461 F	200
3	29.05	AKZ4551/3FKD-7.62-BASALTGREY	54551032461 F	200
4	36.67	AKZ4551/4FKD-7.62-BASALTGREY	54551042461 E	100
5	44.29	AKZ4551/5FKD-7.62-BASALTGREY	54551052461 D	50
6	51.91	AKZ4551/6FKD-7.62-BASALTGREY	54551062461 D	50
7	59.53	AKZ4551/7FKD-7.62-BASALTGREY	54551072461 D	50
8	67.15	AKZ4551/8FKD-7.62-BASALTGREY	54551082461 D	50
9	74.77	AKZ4551/9FKD-7.62-BASALTGREY	54551092461 D	50
10	82.39	AKZ4551/10FKD-7.62-BASALTGREY	54551102461 D	50

Accessoires

Figure	Designation	Article Number
	Series AK(Z)4551 with pull relief	Order Data: on request

Ratings

UseGroup	cULus			VDE	
	B	C	D		
Rated Voltage	300 V	-	300 V	500 V	
Rated Current	10 A	-	-	10 A	
Overvoltage Category				III	
Rated Wire Size			min		max
- solid	AWG 26-16	-	AWG 26-16	0.14 mm ² (3 A)	2.5 mm ² (10 A)
- stranded	AWG 26-16	-	AWG 26-16	0.14 mm ² (3 A)	1.5 mm ² (10 A)
Test Voltage	1.60 kV	-	1.60 kV	6.0 kV	
Pollution Degree				3	