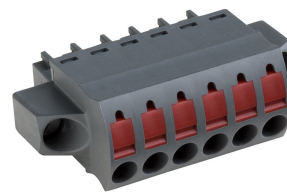


# AKZ4551/..FKD-3.81-BASALTGREY



A Phoenix Mecano Brand

## Technical Data

Wire sizes		Insulating Material	
Solid min	0.14 mm <sup>2</sup>	Material	PA 6.6
Solid max	2.5 mm <sup>2</sup>	Flammability Class	UL 94 V-0
Stranded (flexible) min	0.14mm <sup>2</sup>	<b>Temperatures</b>	
Stranded (flexible) max	1.5 mm <sup>2</sup>	Operating Temperature (without mech. load)	-40 °C - 105 °C
Stranded with Ferrule min	0.25 mm <sup>2</sup>	Store Temperature	-40 °C - 105 °C
Stranded with Ferrule max	1.0 mm <sup>2</sup>	<b>Wave Soldering Process</b>	
<b>Dimensions</b>		Soldering Temperature, recommended	-
Stripped Length	11.0 mm	Peak Soldering Time, recommended	-
<b>Materials</b>		<b>Reflow Process</b>	
Screw, Flange	Steel	Soldering Temperature, recommended	-
Contact Spring	Copper Alloy	Peak Soldering Time, recommended	-
Clamp Spring	Stainless Steel		

## Colours

	BASALT GREY, RAL 7012
	GREEN, RAL 6018
	LIGHT GREEN, similar RAL 6018

Colours according to RAL, there may be variations on colour due to production conditions. Special colours on request.

## Counterparts (Spacing 3.81 mm)

Pin Strip	
STLZ1550	STLZ1570

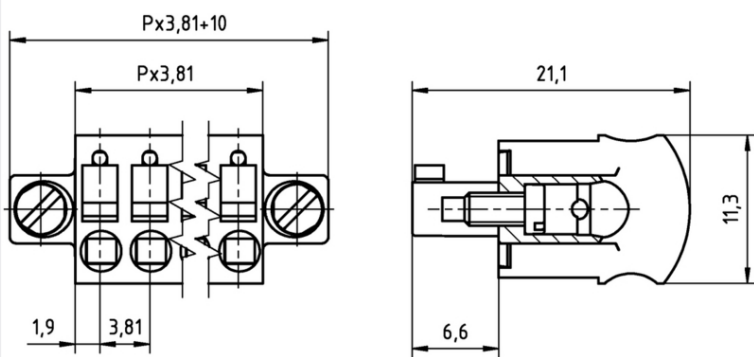
In combination of connectors with different admission data, the lower value is valid.

## Order Data (Spacing 3.81 mm)

Poles	Width (mm)	Article Designation	Article Number	PU
2	17.62	AKZ4551/2FKD-3.81-BASALTGREY	54551022421 F	200
3	21.43	AKZ4551/3FKD-3.81-BASALTGREY	54551032421 F	200
4	25.24	AKZ4551/4FKD-3.81-BASALTGREY	54551042421 F	200
5	29.05	AKZ4551/5FKD-3.81-BASALTGREY	54551052421 F	200
6	32.86	AKZ4551/6FKD-3.81-BASALTGREY	54551062421 E	100
7	36.67	AKZ4551/7FKD-3.81-BASALTGREY	54551072421 E	100
8	40.48	AKZ4551/8FKD-3.81-BASALTGREY	54551082421 D	50
9	44.29	AKZ4551/9FKD-3.81-BASALTGREY	54551092421 D	50
10	48.10	AKZ4551/10FKD-3.81-BASALTGREY	54551102421 D	50
11	51.91	AKZ4551/11FKD-3.81-BASALTGREY	54551112421 D	50
12	55.72	AKZ4551/12FKD-3.81-BASALTGREY	54551122421 D	50
13	59.53	AKZ4551/13FKD-3.81-BASALTGREY	54551132421 D	50
14	63.34	AKZ4551/14FKD-3.81-BASALTGREY	54551142421 D	50
15	67.15	AKZ4551/15FKD-3.81-BASALTGREY	54551152421 D	50
16	70.96	AKZ4551/16FKD-3.81-BASALTGREY	54551162421 D	50
17	74.77	AKZ4551/17FKD-3.81-BASALTGREY	54551172421 D	50
18	78.58	AKZ4551/18FKD-3.81-BASALTGREY	54551182421 D	50
19	82.39	AKZ4551/19FKD-3.81-BASALTGREY	54551192421 D	50
20	86.20	AKZ4551/20FKD-3.81-BASALTGREY	54551202421 D	50

## Accessoires

Figure	Designation	Article Number
	Series AK(Z)4551 with pull relief	Order Data: on request



## Ratings

UseGroup	cRU <sup>®</sup> US			VDE	
	B	C	D		
Rated Voltage	300 V	-	300 V	160 V	
Rated Current	10 A	-	10 A	10 A	
Overvoltage Category				III	
Rated Wire Size			min		max
- solid	AWG 26-16	-	AWG 26-16	0.14 mm <sup>2</sup> (3 A)	2.5 mm <sup>2</sup> (10 A)
- stranded	AWG 26-16	-	AWG 26-16	0.14 mm <sup>2</sup> (3 A)	1.5 mm <sup>2</sup> (10 A)
Test Voltage	1.60 kV	-	1.60 kV	2.5 kV	
Pollution Degree				3	