

AK4951/..FKD-5.0-BASALTGREY



A Phoenix Mecano Brand

Technical Data

Wire sizes		Insulating Material	
Solid min	0.2 mm ²	Material	PA 6.6
Solid max	2.5 mm ²	Flammability Class	UL 94 V-0
Stranded (flexible) min	0.2mm ²	Temperatures	
Stranded (flexible) max	2.5 mm ²	Operating Temperature (without mech. load)	-40 °C - 105 °C
Stranded with Ferrule min	0.25 mm ²	Store Temperature	-40 °C - 105 °C
Stranded with Ferrule max	2.5 mm ²	Wave Soldering Process	
Dimensions		Soldering Temperature, recommended	-
Stripped Length	12.0 mm	Peak Soldering Time, recommended	-
Materials		Reflow Process	
Screw, Flange	Steel	Soldering Temperature, recommended	-
Contact Spring	Copper Alloy	Peak Soldering Time, recommended	-
Clamp Spring	Stainless Steel		

Colours

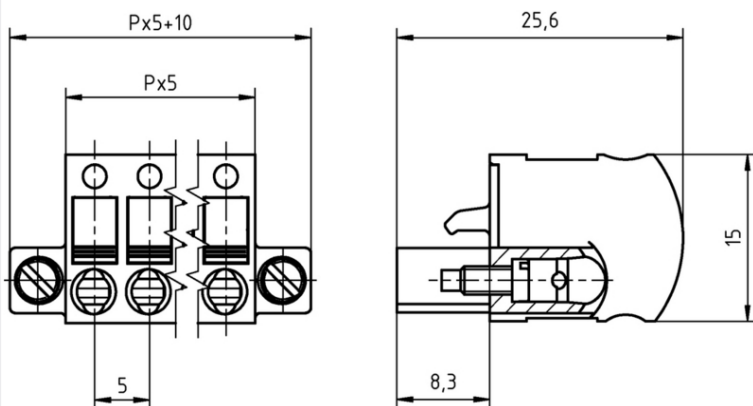
	BASALT GREY, RAL 7012
	GREEN, RAL 6018
	LIGHT GREEN, similar RAL 6018

Colours according to RAL, there may be variations on colour due to production conditions. Special colours on request.

Counterparts (Spacing 5.0 mm)

Pin Strip	
STL950	STL950-HT

In combination of connectors with different admission data, the lower value is valid.



Order Data (Spacing 5.0 mm)

Poles	Width (mm)	Article Designation	Article Number	PU
2	20.00	AK4951/2FKD-5.0-BASALTGREY	54951022401 D	50
3	25.00	AK4951/3FKD-5.0-BASALTGREY	54951032401 D	50
4	30.00	AK4951/4FKD-5.0-BASALTGREY	54951042401 D	50
5	35.00	AK4951/5FKD-5.0-BASALTGREY	54951052401 D	50
6	40.00	AK4951/6FKD-5.0-BASALTGREY	54951062401 D	50
7	45.00	AK4951/7FKD-5.0-BASALTGREY	54951072401 D	50
8	50.00	AK4951/8FKD-5.0-BASALTGREY	54951082401 D	50
9	55.00	AK4951/9FKD-5.0-BASALTGREY	54951092401 D	50
10	60.00	AK4951/10FKD-5.0-BASALTGREY	54951102401 D	50
11	65.00	AK4951/11FKD-5.0-BASALTGREY	54951112401 D	50
12	70.00	AK4951/12FKD-5.0-BASALTGREY	54951122401 D	50
13	75.00	AK4951/13FKD-5.0-BASALTGREY	54951132401 D	50
14	80.00	AK4951/14FKD-5.0-BASALTGREY	54951142401 D	50
15	85.00	AK4951/15FKD-5.0-BASALTGREY	54951152401 D	50
16	90.00	AK4951/16FKD-5.0-BASALTGREY	54951162401 D	50
17	95.00	AK4951/17FKD-5.0-BASALTGREY	54951172401 D	50
18	100.00	AK4951/18FKD-5.0-BASALTGREY	54951182401 D	50
19	105.00	AK4951/19FKD-5.0-BASALTGREY	54951192401 D	50
20	110.00	AK4951/20FKD-5.0-BASALTGREY	54951202401 D	50
21	115.00	AK4951/21FKD-5.0-BASALTGREY	54951212401 D	50
22	120.00	AK4951/22FKD-5.0-BASALTGREY	54951222401 D	50
23	125.00	AK4951/23FKD-5.0-BASALTGREY	54951232401 D	50
24	130.00	AK4951/24FKD-5.0-BASALTGREY	54951242401 D	50

Accessoires

Figure	Designation	Article Number
	Coding Star CS1-5.0/5.08-RED	Order Data: 50000000021
	Series AK(Z)4951 with pull relief	Order Data: on request

Ratings

UseGroup	cRU [®] US			VDE	
	B	C	D		
Rated Voltage	300 V	-	300 V	250 V	
Rated Current	10 A	-	10 A	12 A	
Overvoltage Category				III	
Rated Wire Size			min		max
	- solid	AWG 26-12	-	AWG 26-12	0.2 mm ² 2.5 mm ² (12 A)
	- stranded	AWG 26-12	-	AWG 26-12	0.2 mm ² 2.5 mm ² (12 A)
Test Voltage	1.60 kV	-	1.60 kV	4.0 kV	
Pollution Degree				3	