

AK4350/..G-3.5-GREEN



PTR

A Phoenix Mecano Brand

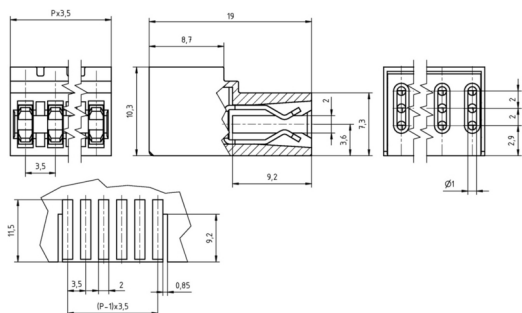
Technical Data

Wire sizes		Insulating Material	
Solid min	0.34 mm ²	Material	PA 6.6
Solid max	0.5 mm ²	Flammability Class	UL 94 V-0
Stranded (flexible) min	-	Temperatures	
Stranded (flexible) max	-	Operating Temperature (without mech. load)	-40 °C - 105 °C
Stranded with Ferrule min	-	Store Temperature	-40 °C - 105 °C
Stranded with Ferrule max	-	Wave Soldering Process	
Dimensions		Soldering Temperature, recommended	-
Stripped Length	8.5 mm	Peak Soldering Time, recommended	-
Materials		Reflow Process	
Contact Spring	Copper Alloy	Soldering Temperature, recommended	-
Clamp Spring	Stainless Steel	Peak Soldering Time, recommended	-

Colours

GREEN, RAL 6018


Colours according to RAL, there may be variations on colour due to production conditions. Special colours on request.



Order Data (Spacing 3.5 mm)

Poles	Width (mm)	Article Designation	Article Number	PU
2	7.00	AK4350/2G-3.5-GREEN	54350020001 F	200
3	10.50	AK4350/3G-3.5-GREEN	54350030001 F	200
4	14.00	AK4350/4G-3.5-GREEN	54350040001 E	100
5	17.50	AK4350/5G-3.5-GREEN	54350050001 E	100
6	21.00	AK4350/6G-3.5-GREEN	54350060001 D	50
7	24.50	AK4350/7G-3.5-GREEN	54350070001 D	50
8	28.00	AK4350/8G-3.5-GREEN	54350080001 D	50
9	31.50	AK4350/9G-3.5-GREEN	54350090001 D	50
10	35.00	AK4350/10G-3.5-GREEN	54350100001 D	50
11	38.50	AK4350/11G-3.5-GREEN	54350110001 D	50
12	42.00	AK4350/12G-3.5-GREEN	54350120001 D	50

Ratings

				**	
UseGroup	B	C	D		
Rated Voltage	150 V	-	300 V	160 V	
Rated Current	5 A	-	5 A	6 A	
Overvoltage Category				III	
Rated Wire Size				min	max
- solid	AWG 22-20	-	AWG 22-20	-	0.5 mm ² (6 A)
- stranded	-	-	-	-	-
Test Voltage	1.30 kV	-	1.60 kV	2.5 kV	
Pollution Degree				3	

** Data similar to EN 61984