

AK3950/..-5.0-GREEN



A Phoenix Mecano Brand

Technical Data

Wire sizes		Insulating Material	
Solid min	0.08 mm ²	Material	PA 6.6
Solid max	2.5 mm ²	Flammability Class	UL 94 V-0
Stranded (flexible) min	0.08mm ²	Temperatures	
Stranded (flexible) max	2.5 mm ²	Operating Temperature (without mech. load)	-40 °C - 105 °C
Stranded with Ferrule min	0.14 mm ²	Store Temperature	-40 °C - 105 °C
Stranded with Ferrule max	1.5 mm ²	Wave Soldering Process	
Dimensions		Soldering Temperature, recommended	-
Stripped Length	8.5 mm	Peak Soldering Time, recommended	-
Materials		Reflow Process	
Contact Spring	Copper Alloy	Soldering Temperature, recommended	-
Tension Spring	Stainless Steel	Peak Soldering Time, recommended	-

Colours

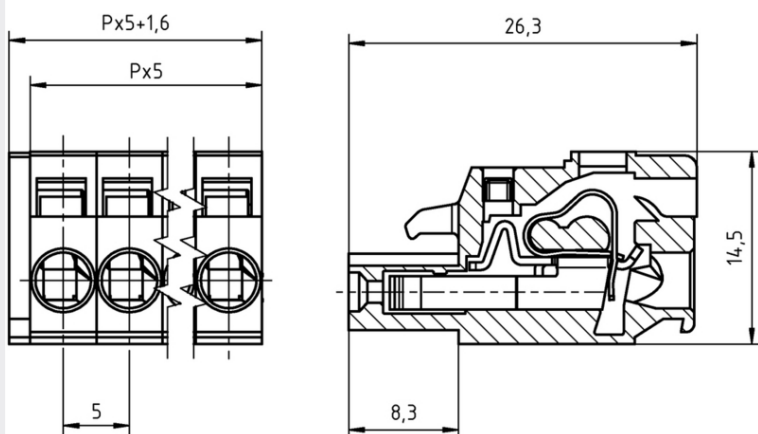
	GREEN, RAL 6018
	PEBBLE GREY, RAL 7032

Colours according to RAL, there may be variations on colour due to production conditions. Special colours on request.

Counterparts (Spacing 5.0 mm)

Pin Strip				
STL950	STL950-HT	STL950-G-HT	STL955	STL975

In combination of connectors with different admission data, the lower value is valid.



Order Data (Spacing 5.0 mm)

Poles	Width (mm)	Article Designation	Article Number	PU
2	11.60	AK3950/2-5.0-GREEN	53950020001 D	50
3	16.60	AK3950/3-5.0-GREEN	53950030001 D	50
4	21.60	AK3950/4-5.0-GREEN	53950040001 D	50
5	26.60	AK3950/5-5.0-GREEN	53950050001 D	50
6	31.60	AK3950/6-5.0-GREEN	53950060001 D	50
7	36.60	AK3950/7-5.0-GREEN	53950070001 D	50
8	41.60	AK3950/8-5.0-GREEN	53950080001 D	50
9	46.60	AK3950/9-5.0-GREEN	53950090001 D	50
10	51.60	AK3950/10-5.0-GREEN	53950100001 D	50
11	56.60	AK3950/11-5.0-GREEN	53950110001 D	50
12	61.60	AK3950/12-5.0-GREEN	53950120001 D	50
13	66.60	AK3950/13-5.0-GREEN	53950130001 D	50
14	71.60	AK3950/14-5.0-GREEN	53950140001 D	50
15	76.60	AK3950/15-5.0-GREEN	53950150001 D	50
16	81.60	AK3950/16-5.0-GREEN	53950160001 D	50
17	86.60	AK3950/17-5.0-GREEN	53950170001 D	50
18	91.60	AK3950/18-5.0-GREEN	53950180001 D	50
19	96.60	AK3950/19-5.0-GREEN	53950190001 D	50
20	101.60	AK3950/20-5.0-GREEN	53950200001 D	50
21	106.60	AK3950/21-5.0-GREEN	53950210001 D	50
22	111.60	AK3950/22-5.0-GREEN	53950220001 D	50
23	116.60	AK3950/23-5.0-GREEN	53950230001 D	50
24	121.60	AK3950/24-5.0-GREEN	53950240001 D	50

Accessoires

Figure	Designation	Article Number
	Bridge, 2-pole, insulated, BRI/2-5.0/5.08-LIGHT GREY	Order Data: 5000000006
	Bridge, 3-pole, insulated, BRI/3-5.0/5.08-LIGHT GREY	Order Data: 5000000007
	Coding Star CS1-5.0/5.08-RED	Order Data: 50000000021

Ratings

UseGroup	cRU [®] US			VDE	
	B	C	D		
Rated Voltage	300 V	-	300 V	250 V	
Rated Current	15 A	-	10 A	12 A	
Overvoltage Category				III	
Rated Wire Size			min		max
	- solid	AWG 28-12	-	AWG 28-12	0.5 mm ² (5 A) / 2.5 mm ² (12 A)
	- stranded	AWG 28-12	-	AWG 28-12	0.5 mm ² (5 A) / 2.5 mm ² (12 A)
Test Voltage	1.60 kV	-	1.60 kV	4.0 kV	
Pollution Degree				3	