



### Technical Data

Wire sizes		Insulating Material	
Solid min	-	Material	PA 6.6
Solid max	-	Flammability Class	UL 94 V-0
Stranded (flexible) min	-	<b>Temperatures</b>	
Stranded (flexible) max	-	Operating Temperature (without mech. load)	-40 °C - 105 °C
Stranded with Ferrule min	-	Store Temperature	-40 °C - 105 °C
Stranded with Ferrule max	-	<b>Wave Soldering Process</b>	
<b>Dimensions</b>		Soldering Temperature, recommended	260 °C
PCB Hole Diameter	1.4 mm	Peak Soldering Time, recommended	3-4 s
<b>Materials</b>		<b>Reflow Process</b>	
Contact Pin	Copper Alloy	Soldering Temperature, recommended	-
		Peak Soldering Time, recommended	-

### Colours

	GREEN, RAL 6018
	LIGHT GREEN, similar RAL 6018

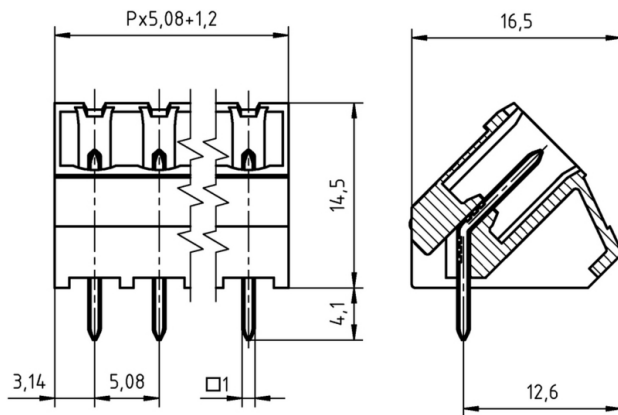
Colours according to RAL, there may be variations on colour due to production conditions. Special colours on request.

### Counterparts (Spacing 5.08 mm)

Pin Strip/Terminal Block

STLZ950-INV	AKZ950	AKZ955	AKZ1100	AKZ1110	AKZ1200	AKZ4951
-------------	--------	--------	---------	---------	---------	---------

In combination of connectors with different admission data, the lower value is valid.



### Order Data (Spacing 5.08 mm)

Poles	Width (mm)	Article Designation	Article Number	PU
2	11.36	STLZ990/2G-5.08-GREEN	50990025121 F	200
3	16.44	STLZ990/3G-5.08-GREEN	50990035121 F	200
4	21.52	STLZ990/4G-5.08-GREEN	50990045121 F	200
5	26.60	STLZ990/5G-5.08-GREEN	50990055121 E	100
6	31.68	STLZ990/6G-5.08-GREEN	50990065121 E	100
7	36.76	STLZ990/7G-5.08-GREEN	50990075121 E	100
8	41.84	STLZ990/8G-5.08-GREEN	50990085121 D	50
9	46.92	STLZ990/9G-5.08-GREEN	50990095121 D	50
10	52.00	STLZ990/10G-5.08-GREEN	50990105121 D	50
11	57.08	STLZ990/11G-5.08-GREEN	50990115121 D	50
12	62.16	STLZ990/12G-5.08-GREEN	50990125121 D	50
13	67.24	STLZ990/13G-5.08-GREEN	50990135121 D	50
14	72.32	STLZ990/14G-5.08-GREEN	50990145121 D	50
15	77.40	STLZ990/15G-5.08-GREEN	50990155121 D	50
16	82.48	STLZ990/16G-5.08-GREEN	50990165121 D	50
17	87.56	STLZ990/17G-5.08-GREEN	50990175121 D	50
18	92.64	STLZ990/18G-5.08-GREEN	50990185121 D	50
19	97.72	STLZ990/19G-5.08-GREEN	50990195121 D	50
20	102.80	STLZ990/20G-5.08-GREEN	50990205121 D	50
21	107.88	STLZ990/21G-5.08-GREEN	50990215121 D	50
22	112.96	STLZ990/22G-5.08-GREEN	50990225121 D	50
23	118.04	STLZ990/23G-5.08-GREEN	50990235121 D	50
24	123.12	STLZ990/24G-5.08-GREEN	50990245121 D	50

### Accessoires

Figure	Designation	Article Number
	Coding Star CS2-5.0/5.08-RED	Order Data: 50000000024
	Separating Element SE-STL950-GREEN	Order Data: 50950000002

### Ratings

UseGroup	C  US			
	B	C	D	
Rated Voltage	300 V	150 V	300 V	250 V
Rated Current	15 A	15 A	10 A	10 A
Overvoltage Category				III
Test Voltage	1.60 kV	1.30 kV	1.60 kV	4.0 kV
Pollution Degree				3