

STLZ970/..-5.08-H-GREEN



A Phoenix Mecano Brand



Technical Data

Wire sizes		Insulating Material	
Solid min	-	Material	PBT
Solid max	-	Flammability Class	UL 94 V-0
Stranded (flexible) min	-	Temperatures	
Stranded (flexible) max	-	Operating Temperature (without mech. load)	-40 °C - 105 °C
Stranded with Ferrule min	-	Store Temperature	-40 °C - 105 °C
Stranded with Ferrule max	-	Wave Soldering Process	
Dimensions		Soldering Temperature, recommended	260 °C
PCB Hole Diameter	1.4 mm	Peak Soldering Time, recommended	3-4 s
Materials		Reflow Process	
Contact Pin	Copper Alloy	Soldering Temperature, recommended	-
		Peak Soldering Time, recommended	-

Colours

	GREEN, RAL 6018
	PEBBLE GREY, RAL 7032
	LIGHT GREEN, similar RAL 6018

Colours according to RAL, there may be variations on colour due to production conditions. Special colours on request.

Counterparts (Spacing 5.08 mm)

Pin Strip/Terminal Block

STLZ950-INV	AKZ950	AKZ955	AKZ1100	AKZ1110	AKZ1200	AKZ4951
-------------	--------	--------	---------	---------	---------	---------

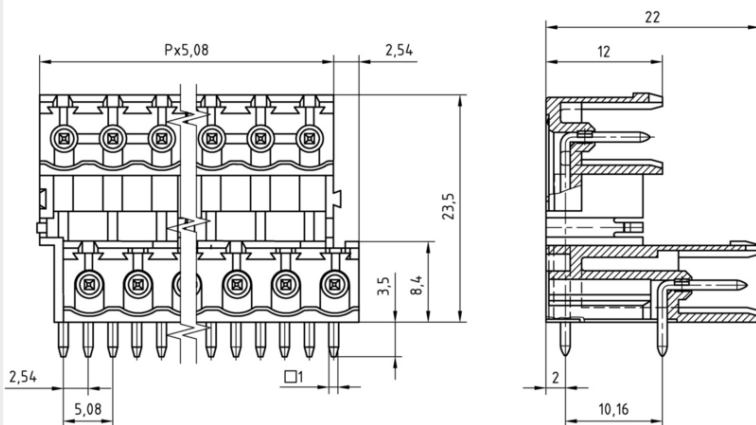
In combination of connectors with different admission data, the lower value is valid.

Order Data (Spacing 5.08 mm)

Poles	Width (mm)	Article Designation	Article Number	PU
2	12.70	STLZ970/2-5.08-H-GREEN	50970025031 E	100
3	17.78	STLZ970/3-5.08-H-GREEN	50970035031 E	100
4	22.86	STLZ970/4-5.08-H-GREEN	50970045031 E	100
5	27.94	STLZ970/5-5.08-H-GREEN	50970055031 D	50
6	33.02	STLZ970/6-5.08-H-GREEN	50970065031 D	50
7	38.10	STLZ970/7-5.08-H-GREEN	50970075031 D	50
8	43.18	STLZ970/8-5.08-H-GREEN	50970085031 D	50
9	48.26	STLZ970/9-5.08-H-GREEN	50970095031 D	50
10	53.34	STLZ970/10-5.08-H-GREEN	50970105031 D	50
11	58.42	STLZ970/11-5.08-H-GREEN	50970115031 D	50
12	63.50	STLZ970/12-5.08-H-GREEN	50970125031 D	50

Accessoires

Figure	Designation	Article Number
	Coding Star CS2-5.0/5.08-RED	Order Data: 50000000024
	Separating Element SE-STL950-GREEN	Order Data: 50950000002



Ratings

UseGroup	cRU [®] US			VDE
	B	C	D	
Rated Voltage	300 V	150 V	300 V	250 V
Rated Current	15 A	15 A	10 A	12 A
Overvoltage Category				III
Test Voltage	1.60 kV	1.30 kV	1.60 kV	4.0 kV
Pollution Degree				3