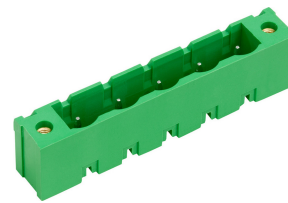


# STLZ965/..F-7.62-V-GREEN



A Phoenix Mecano Brand

## Technical Data

Wire sizes		Insulating Material	
Solid min	-	Material	PBT
Solid max	-	Flammability Class	UL 94 V-0
Stranded (flexible) min	-	<b>Temperatures</b>	
Stranded (flexible) max	-	Operating Temperature (without mech. load)	-40 °C - 105 °C
Stranded with Ferrule min	-	Store Temperature	-40 °C - 105 °C
Stranded with Ferrule max	-	<b>Wave Soldering Process</b>	
<b>Dimensions</b>		Soldering Temperature, recommended	260 °C
PCB Hole Diameter	1.6 mm	Peak Soldering Time, recommended	3-4 s
<b>Materials</b>		<b>Reflow Process</b>	
Thread Insert, Flange	Brass	Soldering Temperature, recommended	-
Contact Pin	Brass	Peak Soldering Time, recommended	-

## Colours

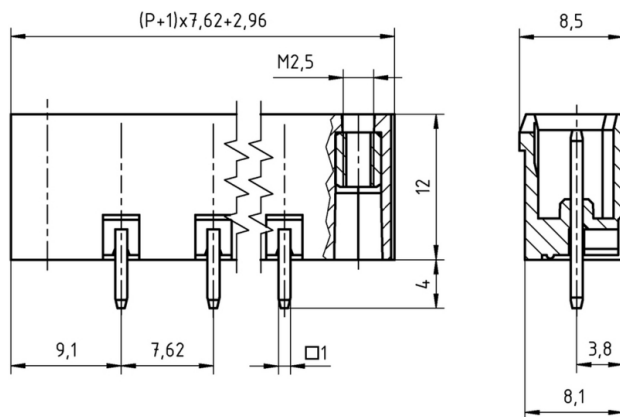
	GREEN, RAL 6018
	LIGHT GREEN, similar RAL 6018
	BASALT GREY, RAL 7012

Colours according to RAL, there may be variations on colour due to production conditions. Special colours on request.

## Counterparts (Spacing 7.62 mm)

Terminal Block  
AKZ965

In combination of connectors with different admission data, the lower value is valid.



## Order Data (Spacing 7.62 mm)

Poles	Width (mm)	Article Designation	Article Number	PU
2	25.82	STLZ965/2F-7.62-V-GREEN	50965026121 E	100
3	33.44	STLZ965/3F-7.62-V-GREEN	50965036121 E	100
4	41.06	STLZ965/4F-7.62-V-GREEN	50965046121 D	50
5	48.68	STLZ965/5F-7.62-V-GREEN	50965056121 D	50
6	56.30	STLZ965/6F-7.62-V-GREEN	50965066121 D	50
7	63.92	STLZ965/7F-7.62-V-GREEN	50965076121 D	50
8	71.54	STLZ965/8F-7.62-V-GREEN	50965086121 D	50
9	79.16	STLZ965/9F-7.62-V-GREEN	50965096121 D	50
10	86.78	STLZ965/10F-7.62-V-GREEN	50965106121 D	50
11	94.40	STLZ965/11F-7.62-V-GREEN	50965116121 D	50
12	102.02	STLZ965/12F-7.62-V-GREEN	50965126121 D	50
13	109.64	STLZ965/13F-7.62-V-GREEN	50965136121 D	50
14	117.26	STLZ965/14F-7.62-V-GREEN	50965146121 D	50
15	124.88	STLZ965/15F-7.62-V-GREEN	50965156121 D	50
16	132.50	STLZ965/16F-7.62-V-GREEN	50965166121 D	50

## Accessoires

Figure	Designation	Article Number
	Coding Star CS3-5.0/5.08-RED	Order Data: 50000000025
	Separating Element SE-STL950-GREEN	Order Data: 50950000002

## Ratings

	C  US			
UseGroup	B	C	D	
Rated Voltage	300 V	-	300 V	250 V
Rated Current	10 A	-	10 A	12 A
Overvoltage Category				III
Test Voltage	1.60 kV	-	1.60 kV	4.0 kV
Pollution Degree				3