

Technical Data

Wire sizes		Insulating Material	
Solid min	-	Material	PA 6.6
Solid max	-	Flammability Class	UL 94 V-0
Stranded (flexible) min	-	Temperatures	
Stranded (flexible) max	-	Operating Temperature (without mech. load)	-40 °C - 105 °C
Stranded with Ferrule min	-	Store Temperature	-40 °C - 105 °C
Stranded with Ferrule max	-	Wave Soldering Process	
Dimensions		Soldering Temperature, recommended	260 °C
PCB Hole Diameter	1.4 mm	Peak Soldering Time, recommended	3-4 s
Materials		Reflow Process	
Contact Pin	Copper Alloy	Soldering Temperature, recommended	-
		Peak Soldering Time, recommended	-

Colours

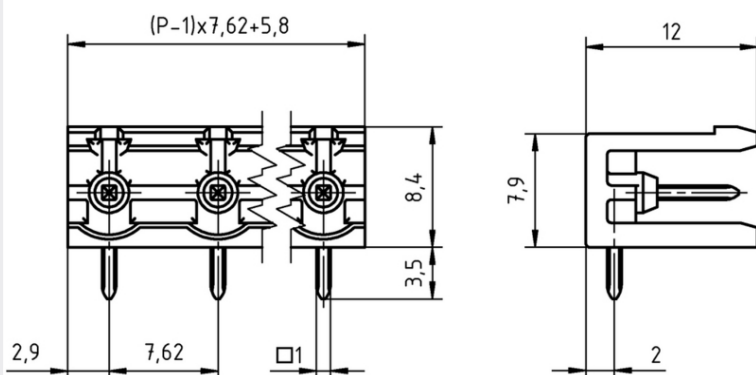
	GREEN, RAL 6018
	LIGHT GREEN, similar RAL 6018
	BASALT GREY, RAL 7012

Colours according to RAL, there may be variations on colour due to production conditions. Special colours on request.

Counterparts (Spacing 7.62 mm)

Terminal Block
AKZ960

In combination of connectors with different admission data, the lower value is valid.



Order Data (Spacing 7.62 mm)

Poles	Width (mm)	Article Designation	Article Number	PU
2	13.42	STLZ960/2-7.62-H-GREEN	50960025031 E	100
3	21.04	STLZ960/3-7.62-H-GREEN	50960035031 E	100
4	28.66	STLZ960/4-7.62-H-GREEN	50960045031 E	100
5	36.28	STLZ960/5-7.62-H-GREEN	50960055031 E	100
6	43.90	STLZ960/6-7.62-H-GREEN	50960065031 D	50
7	51.52	STLZ960/7-7.62-H-GREEN	50960075031 D	50
8	59.14	STLZ960/8-7.62-H-GREEN	50960085031 D	50
9	66.76	STLZ960/9-7.62-H-GREEN	50960095031 D	50
10	74.38	STLZ960/10-7.62-H-GREEN	50960105031 D	50
11	82.00	STLZ960/11-7.62-H-GREEN	50960115031 D	50
12	89.62	STLZ960/12-7.62-H-GREEN	50960125031 D	50
13	97.24	STLZ960/13-7.62-H-GREEN	50960135031 D	50
14	104.86	STLZ960/14-7.62-H-GREEN	50960145031 D	50
15	112.48	STLZ960/15-7.62-H-GREEN	50960155031 D	50
16	120.10	STLZ960/16-7.62-H-GREEN	50960165031 D	50

Accessoires

Figure	Designation	Article Number
	Coding Star CS2-5.0/5.08-RED	Order Data: 50000000024
	Separating Element SE-STL950-GREEN	Order Data: 50950000002

Ratings

UseGroup	C UL US			VDE
	B	C	D	
Rated Voltage	300 V	150 V	300 V	400 V
Rated Current	15 A	15 A	10 A	12 A
Overvoltage Category				III
Test Voltage	1.60 kV	1.30 kV	1.60 kV	4.0 kV
Pollution Degree				3