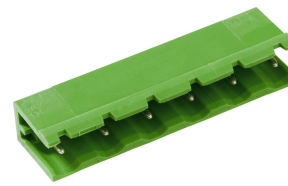


# STLZ960/..-15.24-H-GREEN-HC



A Phoenix Mecano Brand

## Technical Data

Wire sizes		Insulating Material	
Solid min	-	Material	PA 6.6
Solid max	-	Flammability Class	UL 94 V-0
Stranded (flexible) min	-	<b>Temperatures</b>	
Stranded (flexible) max	-	Operating Temperature (without mech. load)	-40 °C - 105 °C
Stranded with Ferrule min	-	Store Temperature	-40 °C - 105 °C
Stranded with Ferrule max	-	<b>Wave Soldering Process</b>	
<b>Dimensions</b>		Soldering Temperature, recommended	260 °C
PCB Hole Diameter	1.4 mm	Peak Soldering Time, recommended	3-4 s
<b>Materials</b>		<b>Reflow Process</b>	
Contact Pin	Copper Alloy	Soldering Temperature, recommended	-
		Peak Soldering Time, recommended	-

## Colours

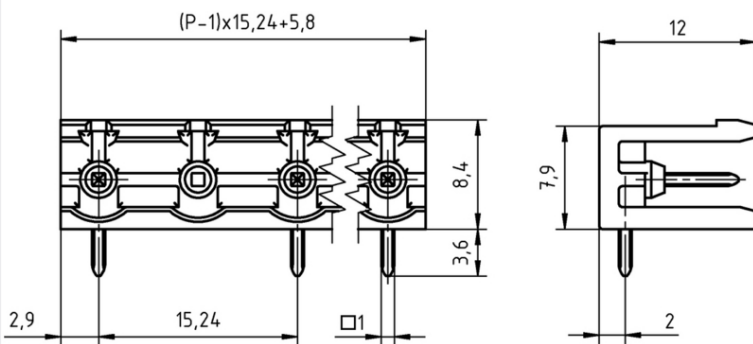
	GREEN, RAL 6018
	LIGHT GREEN, similar RAL 6018

Colours according to RAL, there may be variations on colour due to production conditions. Special colours on request.

## Counterparts (Spacing 15.24 mm)

Terminal Block  
AKZ960

In combination of connectors with different admission data, the lower value is valid.



## Order Data (Spacing 15.24 mm)

Poles	Width (mm)	Article Designation	Article Number	PU
2	21.04	STLZ960/2-15.24-H-GREEN-HC	50960025079 E	100
3	36.28	STLZ960/3-15.24-H-GREEN-HC	50960035079 E	100
4	51.52	STLZ960/4-15.24-H-GREEN-HC	50960045079 D	50
5	66.76	STLZ960/5-15.24-H-GREEN-HC	50960055079 D	50
6	82.00	STLZ960/6-15.24-H-GREEN-HC	50960065079 D	50
7	97.24	STLZ960/7-15.24-H-GREEN-HC	50960075079 D	50
8	112.48	STLZ960/8-15.24-H-GREEN-HC	50960085079 D	50

## Accessoires

Figure	Designation	Article Number
	Coding Star CS2-5.0/5.08-RED	Order Data: 50000000024
	Separating Element SE-STL950-GREEN	Order Data: 50950000002

## Ratings

UseGroup	C <sub>RU</sub> US			VDE
	B	C	D	
Rated Voltage	600 V	600 V	600 V	630 V
Rated Current	16 A	16 A	16 A	16 A
Overvoltage Category				III
Test Voltage	2.20 kV	2.20 kV	2.20 kV	6.0 kV
Pollution Degree				3