

# Series 1001

- Test probe for 30 mil centers
- Short travel
- Low contact force
- Receptacle pre-wired

## Mechanical Data

Center	0.76 mm/30 mil
Temperature Range	-40 °C - +250 °C
Full Travel	2.00 mm
Working Travel	1.35 mm
Pre-loaded Spring Force	0.13 N
Spring Force at Working Travel	0.30 N

## Electrical Data

Max. Current Rating	0.5 A
Typical Continuity Resistance	<= 150 mOhm

## Materials

Barrel	Bronze, gold-plated
Spring	Stainless Steel, gold-plated
Plunger	Steel, gold-plated
Receptacle	Bronze, gold-plated
Wire AWG 32 (Blue)	Copper, silver-plated, insulated

## Recommended Diameter of Drill

HP 2361.1 (Trolitax)	0.53 mm
----------------------	---------

## High-Temperature Applications

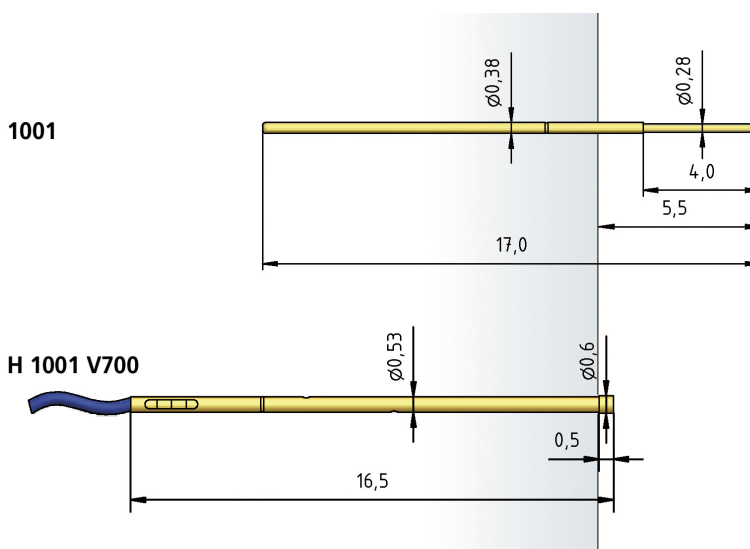
Temperature Range	-40 °C - +250 °C
Pre-Loaded Spring Force	0.13 N
Spring Force at Working Travel (Order Index E)	0.30 N

## Tip style - Diameter - Plating



G3

0.28 Au



## How to Order

1001 - G3 - 0.3 N - Au - 0.28

1 2 3 4 5

1. Series 2. Tip Style 3. Spring Force  
4. Tip Plating 5. Tip Diameter