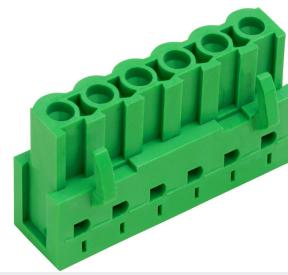




STLZ950/..-5.08-V-GREEN-INV



Technical Data

Wire sizes		Insulating Material	
Solid min	-	Material	PA 6.6
Solid max	-	Flammability Class	UL 94 V-0
Stranded (flexible) min	-	Temperatures	
Stranded (flexible) max	-	Operating Temperature (without mech. load)	-40 °C - 105 °C
Stranded with Ferrule min	-	Store Temperature	-40 °C - 105 °C
Stranded with Ferrule max	-	Wave Soldering Process	
Dimensions		Soldering Temperature, recommended	260 °C
PCB Hole Diameter	1.4 mm	Peak Soldering Time, recommended	3-4 s
Materials		Reflow Process	
Contact Spring	Bronze	Soldering Temperature, recommended	-
		Peak Soldering Time, recommended	-

Colours

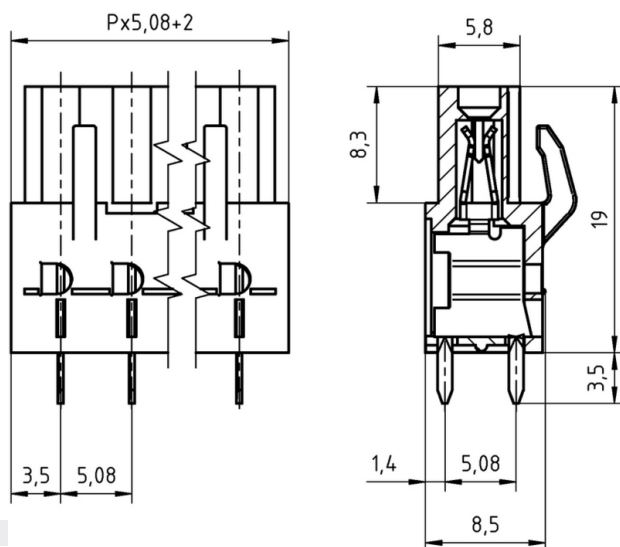
	GREEN, RAL 6018
	LIGHT GREEN, similar RAL 6018

Colours according to RAL, there may be variations on colour due to production conditions. Special colours on request.

Counterparts (Spacing 5.08 mm)

Pin Strip/Terminal Block				
STLZ950	STLZ990	STLZ970	AKZ950	AKZ5950

In combination of connectors with different admission data, the lower value is valid.



Ratings

	C _{RU} US			VDE
UseGroup	B	C	D	
Rated Voltage	300 V	-	300 V	250 V
Rated Current	15 A	-	10 A	12 A
Overtoltage Category				III
Test Voltage	1.60 kV	-	1.60 kV	4.0 kV
Pollution Degree				3

Order Data (Spacing 5.08 mm)

Poles	Width (mm)	Article Designation	Article Number	PU
2	12.16	STLZ950/2-5.08-V-GREEN-INV	50950029121 F	200
3	17.24	STLZ950/3-5.08-V-GREEN-INV	50950039121 F	200
4	22.32	STLZ950/4-5.08-V-GREEN-INV	50950049121 F	200
5	27.40	STLZ950/5-5.08-V-GREEN-INV	50950059121 E	100
6	32.48	STLZ950/6-5.08-V-GREEN-INV	50950069121 E	100
7	37.56	STLZ950/7-5.08-V-GREEN-INV	50950079121 E	100
8	42.64	STLZ950/8-5.08-V-GREEN-INV	50950089121 D	50
9	47.72	STLZ950/9-5.08-V-GREEN-INV	50950099121 D	50
10	52.80	STLZ950/10-5.08-V-GREEN-INV	50950109121 D	50
11	57.88	STLZ950/11-5.08-V-GREEN-INV	50950119121 D	50
12	62.96	STLZ950/12-5.08-V-GREEN-INV	50950129121 D	50
13	68.04	STLZ950/13-5.08-V-GREEN-INV	50950139121 D	50
14	73.12	STLZ950/14-5.08-V-GREEN-INV	50950149121 D	50
15	78.20	STLZ950/15-5.08-V-GREEN-INV	50950159121 D	50
16	83.28	STLZ950/16-5.08-V-GREEN-INV	50950169121 D	50
17	88.36	STLZ950/17-5.08-V-GREEN-INV	50950179121 D	50
18	93.44	STLZ950/18-5.08-V-GREEN-INV	50950189121 D	50
19	98.52	STLZ950/19-5.08-V-GREEN-INV	50950199121 D	50
20	103.60	STLZ950/20-5.08-V-GREEN-INV	50950209121 D	50
21	108.68	STLZ950/21-5.08-V-GREEN-INV	50950219121 D	50
22	113.76	STLZ950/22-5.08-V-GREEN-INV	50950229121 D	50
23	118.84	STLZ950/23-5.08-V-GREEN-INV	50950239121 D	50
24	123.92	STLZ950/24-5.08-V-GREEN-INV	50950249121 D	50

Accessoires

Figure	Designation	Article Number
	Coding Star CS4-5.0/5.08-RED	Order Data: 50000000026