



**Technical Data**

Wire sizes		Insulating Material	
Solid min	-	Material	PPA
Solid max	-	Flammability Class	UL 94 V-0
Stranded (flexible) min		Temperatures	
Stranded (flexible) max	-	Operating Temperature (without mech. load)	-40 °C - 105 °C
Stranded with Ferrule min	-	Store Temperature	-40 °C - 105 °C
Stranded with Ferrule max	-	Wave Soldering Process	
Dimensions		Soldering Temperature, recommended	260 °C
PCB Hole Diameter	1.4 mm	Peak Soldering Time, recommended	3-4 s
Materials		Reflow Process	
Contact Pin	Copper Alloy	Soldering Temperature, recommended	217 - 245 °C
		Peak Soldering Time, recommended	60 s

**Colours**

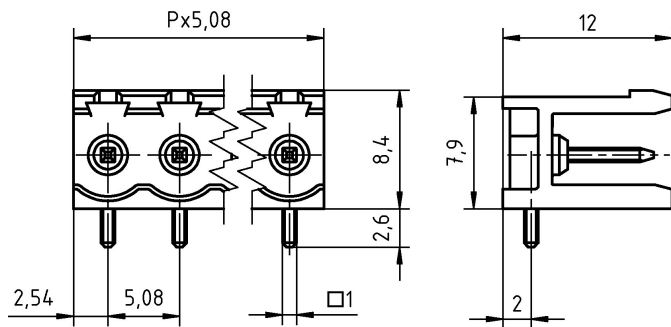
BLACK, RAL 9011

Colours according to RAL, there may be variations on colour due to production conditions.

**Counterparts (Spacing 5.08 mm)**

Terminal Block  
AKZ950

In combination of connectors with different admission data, the lower value is valid.



**Order Data (Spacing 5.08 mm)**

Poles	Width (mm)	Article Designation	Article Number	PU
2	10.16	STLZ950/2-5.08-H-P2.6-BK-HC-HT	50950025339 F	200
3	15.24	STLZ950/3-5.08-H-P2.6-BK-HC-HT	50950035339 F	200
4	20.32	STLZ950/4-5.08-H-P2.6-BK-HC-HT	50950045339 F	200
5	25.40	STLZ950/5-5.08-H-P2.6-BK-HC-HT	50950055339 E	100
6	30.48	STLZ950/6-5.08-H-P2.6-BK-HC-HT	50950065339 E	100
7	35.56	STLZ950/7-5.08-H-P2.6-BK-HC-HT	50950075339 E	100
8	40.64	STLZ950/8-5.08-H-P2.6-BK-HC-HT	50950085339 D	50
9	45.72	STLZ950/9-5.08-H-P2.6-BK-HC-HT	50950095339 D	50
10	50.80	STLZ950/10-5.08-H-P2.6-BK-HC-HT	50950105339 D	50
11	55.88	STLZ950/11-5.08-H-P2.6-BK-HC-HT	50950115339 D	50
12	60.96	STLZ950/12-5.08-H-P2.6-BK-HC-HT	50950125339 D	50

**Accessoires**

Figure	Designation	Article Number
	Coding Star CS2-5.0/5.08-LIGHT GREY-HT	Order Data: 50000000028

**Ratings**

	C <sub>RU</sub> US			VDE
UseGroup	B	C	D	
Rated Voltage	300 V	150 V	300 V	250 V
Rated Current	16 A	16 A	10 A	16 A
Overvoltage Category				III
Test Voltage	1.60 kV	1.30 kV	1.60 kV	4.0 kV
Pollution Degree				3