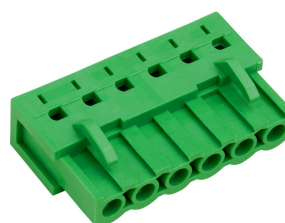


# STLZ950/..-5.08-H-GREEN-INV



A Phoenix Mecano Brand

## Technical Data

Wire sizes		Insulating Material	
Solid min	-	Material	PA 6.6
Solid max	-	Flammability Class	UL 94 V-0
Stranded (flexible) min	-	<b>Temperatures</b>	
Stranded (flexible) max	-	Operating Temperature (without mech. load)	-40 °C - 105 °C
Stranded with Ferrule min	-	Store Temperature	-40 °C - 105 °C
Stranded with Ferrule max	-	<b>Wave Soldering Process</b>	
<b>Dimensions</b>		Soldering Temperature, recommended	260 °C
PCB Hole Diameter	1.4 mm	Peak Soldering Time, recommended	3-4 s
<b>Materials</b>		<b>Reflow Process</b>	
Contact Spring	Bronze	Soldering Temperature, recommended	-
		Peak Soldering Time, recommended	-

## Colours

- GREEN, RAL 6018
- LIGHT GREEN, similar RAL 6018

Colours according to RAL, there may be variations on colour due to production conditions. Special colours on request.

## Counterparts (Spacing 5.08 mm)

Pin Strip/Terminal Block


AKZ950	STLZ950	STLZ990	STLZ970	AKZ5950
--------	---------	---------	---------	---------

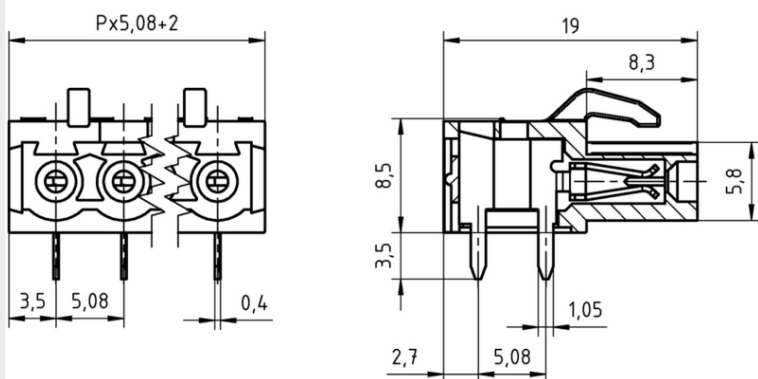
In combination of connectors with different admission data, the lower value is valid.

## Order Data (Spacing 5.08 mm)



Poles	Width (mm)	Article Designation	Article Number	PU
2	12.16	STLZ950/2-5.08-H-GREEN-INV	50950029021 F	200
3	17.24	STLZ950/3-5.08-H-GREEN-INV	50950039021 F	200
4	22.32	STLZ950/4-5.08-H-GREEN-INV	50950049021 F	200
5	27.40	STLZ950/5-5.08-H-GREEN-INV	50950059021 E	100
6	32.48	STLZ950/6-5.08-H-GREEN-INV	50950069021 E	100
7	37.56	STLZ950/7-5.08-H-GREEN-INV	50950079021 E	100
8	42.64	STLZ950/8-5.08-H-GREEN-INV	50950089021 D	50
9	47.72	STLZ950/9-5.08-H-GREEN-INV	50950099021 D	50
10	52.80	STLZ950/10-5.08-H-GREEN-INV	50950109021 D	50
11	57.88	STLZ950/11-5.08-H-GREEN-INV	50950119021 D	50
12	62.96	STLZ950/12-5.08-H-GREEN-INV	50950129021 D	50
13	68.04	STLZ950/13-5.08-H-GREEN-INV	50950139021 D	50
14	73.12	STLZ950/14-5.08-H-GREEN-INV	50950149021 D	50
15	78.20	STLZ950/15-5.08-H-GREEN-INV	50950159021 D	50
16	83.28	STLZ950/16-5.08-H-GREEN-INV	50950169021 D	50
17	88.36	STLZ950/17-5.08-H-GREEN-INV	50950179021 D	50
18	93.44	STLZ950/18-5.08-H-GREEN-INV	50950189021 D	50
19	98.52	STLZ950/19-5.08-H-GREEN-INV	50950199021 D	50
20	103.60	STLZ950/20-5.08-H-GREEN-INV	50950209021 D	50
21	108.68	STLZ950/21-5.08-H-GREEN-INV	50950219021 D	50
22	113.76	STLZ950/22-5.08-H-GREEN-INV	50950229021 D	50
23	118.84	STLZ950/23-5.08-H-GREEN-INV	50950239021 D	50
24	123.92	STLZ950/24-5.08-H-GREEN-INV	50950249021 D	50

## Accessoires

Figure	Designation	Article Number
	Coding Star CS4-5.0/5.08-RED	Order Data: 50000000026



## Ratings

	C  US			
UseGroup	B	C	D	
Rated Voltage	300 V	-	300 V	250 V
Rated Current	15 A	-	10 A	12 A
Overvoltage Category				III
Test Voltage	1.60 kV	-	1.60 kV	4.0 kV
Pollution Degree				3