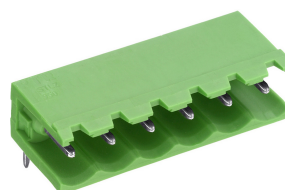


STLZ950/..-5.08-H-GREEN



A Phoenix Mecano Brand

Technical Data

Wire sizes		Insulating Material	
Solid min	-	Material	PA 6.6
Solid max	-	Flammability Class	UL 94 V-0
Stranded (flexible) min	-	Temperatures	
Stranded (flexible) max	-	Operating Temperature (without mech. load)	-40 °C - 105 °C
Stranded with Ferrule min	-	Store Temperature	-40 °C - 105 °C
Stranded with Ferrule max	-	Wave Soldering Process	
Dimensions		Soldering Temperature, recommended	260 °C
PCB Hole Diameter	1.4 mm	Peak Soldering Time, recommended	3-4 s
Materials		Reflow Process	
Contact Pin	Copper Alloy	Soldering Temperature, recommended	-
		Peak Soldering Time, recommended	-

Colours

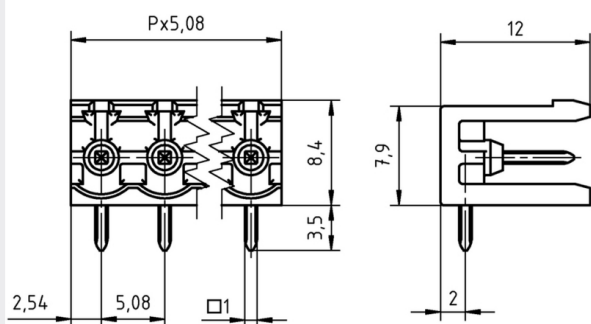
	GREEN, RAL 6018
	BLACK, RAL 9011
	BASALT GREY, RAL 7012
	PEBBLE GREY, RAL 7032
	LIGHT GREY, RAL 7035
	LIGHT GREEN, similar RAL 6018

Colours according to RAL, there may be variations on colour due to production conditions. Special colours on request.

Counterparts (Spacing 5.08 mm)

Pin Strip/Terminal Block						
STLZ950-INV	AKZ950	AKZ955	AKZ1100	AKZ1110	AKZ1200	AKZ4951

In combination of connectors with different admission data, the lower value is valid.



Order Data (Spacing 5.08 mm)

Poles	Width (mm)	Article Designation	Article Number	PU
2	10.16	STLZ950/2-5.08-H-GREEN	50950025031 F	200
3	15.24	STLZ950/3-5.08-H-GREEN	50950035031 F	200
4	20.32	STLZ950/4-5.08-H-GREEN	50950045031 F	200
5	25.40	STLZ950/5-5.08-H-GREEN	50950055031 E	100
6	30.48	STLZ950/6-5.08-H-GREEN	50950065031 E	100
7	35.56	STLZ950/7-5.08-H-GREEN	50950075031 E	100
8	40.64	STLZ950/8-5.08-H-GREEN	50950085031 D	50
9	45.72	STLZ950/9-5.08-H-GREEN	50950095031 D	50
10	50.80	STLZ950/10-5.08-H-GREEN	50950105031 D	50
11	55.88	STLZ950/11-5.08-H-GREEN	50950115031 D	50
12	60.96	STLZ950/12-5.08-H-GREEN	50950125031 D	50
13	66.04	STLZ950/13-5.08-H-GREEN	50950135031 D	50
14	71.12	STLZ950/14-5.08-H-GREEN	50950145031 D	50
15	76.20	STLZ950/15-5.08-H-GREEN	50950155031 D	50
16	81.28	STLZ950/16-5.08-H-GREEN	50950165031 D	50
17	86.36	STLZ950/17-5.08-H-GREEN	50950175031 D	50
18	91.44	STLZ950/18-5.08-H-GREEN	50950185031 D	50
19	96.52	STLZ950/19-5.08-H-GREEN	50950195031 D	50
20	101.60	STLZ950/20-5.08-H-GREEN	50950205031 D	50
21	106.68	STLZ950/21-5.08-H-GREEN	50950215031 D	50
22	111.76	STLZ950/22-5.08-H-GREEN	50950225031 D	50
23	116.84	STLZ950/23-5.08-H-GREEN	50950235031 D	50
24	121.92	STLZ950/24-5.08-H-GREEN	50950245031 D	50

Accessoires

Figure	Designation	Article Number
	Coding Star CS2-5.0/5.08-RED	Order Data: 50000000024
	Separating Element SE-STL950-GREEN	Order Data: 50950000002

Ratings

UseGroup	C US			
	B	C	D	
Rated Voltage	300 V	150 V	300 V	250 V
Rated Current	15 A	15 A	10 A	12 A
Overvoltage Category				III
Test Voltage	1.60 kV	1.30 kV	1.60 kV	4.0 kV
Pollution Degree				3