

STLZ1570/..G-7.62-V-GREEN



A Phoenix Mecano Brand

Technical Data

Wire sizes		Insulating Material	
Solid min	-	Material	PBT
Solid max	-	Flammability Class	UL 94 V-0
Stranded (flexible) min	-	Temperatures	
Stranded (flexible) max	-	Operating Temperature (without mech. load)	-40 °C - 105 °C
Stranded with Ferrule min	-	Store Temperature	-40 °C - 105 °C
Stranded with Ferrule max	-	Wave Soldering Process	
Dimensions		Soldering Temperature, recommended	260 °C
PCB Hole Diameter	1.2 mm	Peak Soldering Time, recommended	3-4 s
Materials		Reflow Process	
Contact Pin	Copper Alloy	Soldering Temperature, recommended	-
		Peak Soldering Time, recommended	-

Colours

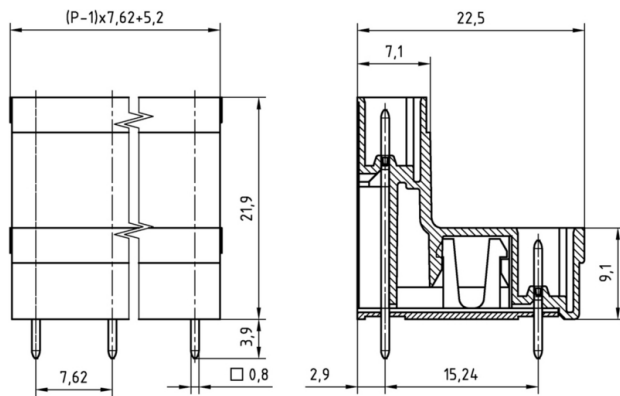
	GREEN, RAL 6018
	LIGHT GREEN, similar RAL 6018

Colours according to RAL, there may be variations on colour due to production conditions. Special colours on request.

Counterparts (Spacing 7.62 mm)

Terminal Block		
AKZ1550	AKZ1700	AKZ1710

In combination of connectors with different admission data, the lower value is valid.



Order Data (Spacing 7.62 mm)

Poles	Width (mm)	Article Designation	Article Number	PU
2	12.82	STLZ1570/2G-7.62-V-GREEN	51570025161 E	100
3	20.44	STLZ1570/3G-7.62-V-GREEN	51570035161 E	100
4	28.06	STLZ1570/4G-7.62-V-GREEN	51570045161 D	50
5	35.68	STLZ1570/5G-7.62-V-GREEN	51570055161 D	50
6	43.30	STLZ1570/6G-7.62-V-GREEN	51570065161 D	50
7	50.92	STLZ1570/7G-7.62-V-GREEN	51570075161 D	50
8	58.54	STLZ1570/8G-7.62-V-GREEN	51570085161 D	50
9	66.16	STLZ1570/9G-7.62-V-GREEN	51570095161 D	50
10	73.78	STLZ1570/10G-7.62-V-GREEN	51570105161 D	50

Accessoires

Figure	Designation	Article Number
	Coding Star CS1-3.5/3.81-RED	Order Data: 50000000023

Ratings

UseGroup	C US			
	B	C	D	
Rated Voltage	300 V	150 V	300 V	400 V
Rated Current	8 A	8 A	-	9 A
Overvoltage Category				III
Test Voltage	1.60 kV	1.30 kV	1.60 kV	6.0 kV
Pollution Degree				3