

STLZ1570/..G-3.81-V-GREEN



A Phoenix Mecano Brand

Technical Data

Wire sizes		Insulating Material	
Solid min	-	Material	PBT
Solid max	-	Flammability Class	UL 94 V-0
Stranded (flexible) min	-	Temperatures	
Stranded (flexible) max	-	Operating Temperature (without mech. load)	-40 °C - 105 °C
Stranded with Ferrule min	-	Store Temperature	-40 °C - 105 °C
Stranded with Ferrule max	-	Wave Soldering Process	
Dimensions		Soldering Temperature, recommended	260 °C
PCB Hole Diameter	1.2 mm	Peak Soldering Time, recommended	3-4 s
Materials		Reflow Process	
Contact Pin	Copper Alloy	Soldering Temperature, recommended	-
		Peak Soldering Time, recommended	-

Colours

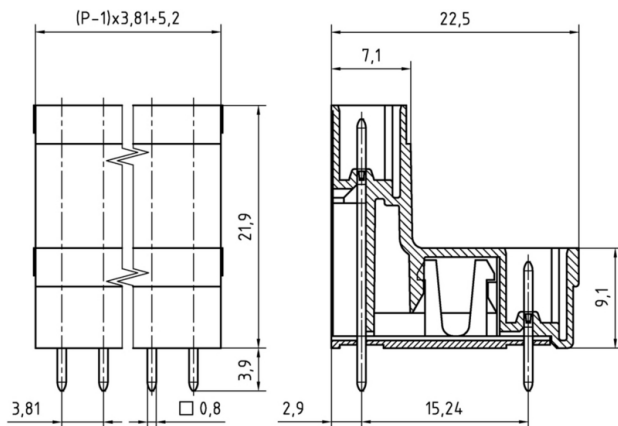
- GREEN, RAL 6018
- LIGHT GREEN, similar RAL 6018

Colours according to RAL, there may be variations on colour due to production conditions. Special colours on request.

Counterparts (Spacing 3.81 mm)

Terminal Block				
AKZ1550	AKZ1700	AKZ1710	AKZ4551	AKZ4561

In combination of connectors with different admission data, the lower value is valid.



Order Data (Spacing 3.81 mm)

Poles	Width (mm)	Article Designation	Article Number	PU
2	9.01	STLZ1570/2G-3.81-V-GREEN	51570025121 E	100
3	12.82	STLZ1570/3G-3.81-V-GREEN	51570035121 E	100
4	16.63	STLZ1570/4G-3.81-V-GREEN	51570045121 E	100
5	20.44	STLZ1570/5G-3.81-V-GREEN	51570055121 E	100
6	24.25	STLZ1570/6G-3.81-V-GREEN	51570065121 E	100
7	28.06	STLZ1570/7G-3.81-V-GREEN	51570075121 D	50
8	31.87	STLZ1570/8G-3.81-V-GREEN	51570085121 D	50
9	35.68	STLZ1570/9G-3.81-V-GREEN	51570095121 D	50
10	39.49	STLZ1570/10G-3.81-V-GREEN	51570105121 D	50
11	43.30	STLZ1570/11G-3.81-V-GREEN	51570115121 D	50
12	47.11	STLZ1570/12G-3.81-V-GREEN	51570125121 D	50
13	50.92	STLZ1570/13G-3.81-V-GREEN	51570135121 D	50
14	54.73	STLZ1570/14G-3.81-V-GREEN	51570145121 D	50
15	58.54	STLZ1570/15G-3.81-V-GREEN	51570155121 D	50
16	62.35	STLZ1570/16G-3.81-V-GREEN	51570165121 D	50
17	66.16	STLZ1570/17G-3.81-V-GREEN	51570175121 D	50
18	69.97	STLZ1570/18G-3.81-V-GREEN	51570185121 D	50
19	73.78	STLZ1570/19G-3.81-V-GREEN	51570195121 D	50
20	77.59	STLZ1570/20G-3.81-V-GREEN	51570205121 D	50

Accessoires

Figure	Designation	Article Number
	Coding Star CS1-3.5/3.81-RED	Order Data: 50000000023
	Separating Element SE-STL1550-GREEN	Order Data: 51550000002

Ratings

UseGroup	B	C	D	
Rated Voltage	300 V	-	300 V	160 V
Rated Current	10 A	-	10 A	10 A
Overvoltage Category				III
Test Voltage	1.60 kV	-	1.60 kV	2.5 kV
Pollution Degree				3